



# METAL KITCHEN

MINI & COMPACT  
2019/2020



STENDEL METAL KITCHENS - STEEL IN A BEAUTIFUL AND FUNCTIONAL DESIGN



**stengel**   
steel concept

# WE CAN DO

## SMALL...



**stengel**   
steel concept



# CONTENTS



## GENERAL INFORMATION 04

Stengel mini kitchen - features & benefits	04
Stengel mini kitchen - comparison	06

## MINI KITCHEN PREMIUMLINE MP 08

100 cm wide	16
110/120 cm wide	18
150 cm wide	22
160 cm wide	26
170 cm wide	30
180 cm wide	34

## MINI KITCHEN KITCHENLINE MK 38

90 cm wide	43
100 cm wide	44
120 cm wide	46
150 cm wide	48

## MINI KITCHEN EASYLINE ME 50

100 cm wide	52
120 cm wide	53

## SET STUDIOLINE SL 54

Studioline SE - single	56
Studioline SD - double	58

## CUPBOARD KITCHEN SKM 60

basic model	62
accessories	64
larder cupboard	65

## CUPBOARDS HS / HO 66

wall cupboards H560	68
wall cupboards H720	70
wall cupboards microwave H560 / H720	72
larder cupboards H2000 / H2160	74

## ACCESSORIES / ELECTRICAL APPLIANCES 76

infill panels	76
splashbacks / side cheeks	77
accessories / taps	78
electrical appliances	80

## INFORMATIONS 83

Stengel GmbH / partners / projects	83
delivery / packaging	86
connection scheme	88





...AND **LARGE**

# STENGEL MINI KITCHEN FEATURES & BENEFITS

We believe that a kitchen has to be able to do everything - regardless of size. If you have only little space at home, in your office or studio or place of work we have the mini kitchen that suits your needs.

Our mini kitchens will fulfill your requirements and wishes perfectly. Almost all models are delivered assembled and ready to plug in and cook.

## Mini kitchen made from metal and its benefits:

We only use steel and stainless steel from European trade.

### **Powder coating**

In a **Stengel kitchen**, powder-coated parts are constructed with our own state-of-the-art powder coating system. The coating makes the surfaces much more durable than ordinary liquid paint.

### **Stainless steel**

We use stainless and acid-resistant stainless steel 1.4301 (X5CrNi18-10), which is approved for temperatures up to 600° Celsius, in our worktops, fronts and other parts.

### **Rust resistant**

The stainless steel and powder-coated metal used in our products is resistant to water vapour, damp and other climatic influences - leaving no breeding ground for rust.

### **Easy to clean**

**Stengel mini kitchens** are really easy to clean thanks to their smooth, non-porous surfaces.

### **Environmentally friendly**

100% recycable steel and no toxic substances mean we are making a vital contribution to both your health and the sustainable use of environmental resources. Eco-certification according to DIN EN 14001 is guaranteed.

### Fire resistant

**Steel kitchens** never go up in flames, steel cannot self-ignite and does not provide any fuel for a fire.

### Odourless

Powder-coated metal is odourless - even after thousands of hours of cooking, **Stengel kitchens** still smell fresh once cleaned, as the material does not absorb any foreign odours.

## Advantages of metal Stengel mini kitchens compared to wooden kitchens:

- high durability
- no material deterioration compared to wood
- low installation costs
- simple installation
- timeless style
- no problems with damages caused by water
- space saving
- easy to maintain surfaces
- hygienic and anti-bacterial



# COMPARISON OF KITCHEN MODELS

Our mini and compact kitchens have a wide range of applications. The kitchen that would be installed in a portacabin, for example, would be different to one installed in a holiday apartment. That's why we offer three different model series with different price points, features and designs.

## MINI KITCHEN ME EASYLINE:

### Features:

- Metal cupboard unit in powder coated finish, filled double-walled fronts
- Fridge with 2\* -freezer, 48 cm wide
- Widths of 100 and 120 cm
- Deep drawn standard pantry tops with ventilation holes on top, integrated bowl, drainer and hobs – front mounted controls
- Hob: electric hotplates or without hotplates
- Metal cupboard unit without handles with push to open door
- Shelves as accessories
- Standard colour white





## MINI KITCHEN MK KITCHENLINE:

### Additional special features to ME Easyline:

- Fridge with 4\* -freezer
- Widths of 90, 100, 120 und 150 cm
- Hob: electric hotplates, ceramic hob or without hob
- Metal handles in kitchen colour
- Available with microwave and oven (\*1)
- Five additional colours (\*2) - bordeaux, green apple, sand, mocha and black



## MINI KITCHEN MP PREMIUMLINE:

### Additional special features to MK Kitchenline:

- Metal covered fridge door
- Widths of 100, 110, 120, 150, 160, 170, 180 cm
- Premium pantry top made of brushed stainless steel with ventilation holes in front, built-in bowl with drainer, tap hole, filter basket and siphon
- Hob: ceramic hob, induction hob or without
- Modern bar handle in stainless steel
- Drawers (\*1) with softclose
- Also with microwave with cooking function 20l and 30l, dishwasher, stainless steel oven (\*1)
- Two additional colours – slate grey and stainless steel



(\*1) depending on the model (\*2) for colored kitchens with metal covered fridge door

# MP PREMIUMLINE MINI KITCHEN

FLEXIBLE AND FUNCTIONAL -  
THE PERFECT KITCHEN FOR EVERYONES NEEDS

If style and functionality are important for you then the **Stengel Premiumline** range of kitchens are the perfect choice.

Our **mini kitchen** is made in powder coated sheet metal and supplied with double-walled doors which are filled with insulation to give strength and a solid feel. Classic design handles and high quality metal pull-out rails complete a perfect picture.

Classical or modern a style to meet everyones taste.

The **Premiumline** models become a fully-equipped kitchen by the option to choose from microwave, microwave with cooking function, dishwasher or oven. Available in the widths 100, 110, 120, 150, 160, 170 and 180 cm.

You can find more information about the **mini kitchen** on the following pages.





# MP PREMIUMLINE IN COLOUR

Fancy some colour?

Our new fashionable colours allow you to create great design highlights or add a fresh splash of colour.

With coloured surfaces on all visible sides, our **mini kitchen** will make for a furnishing highlight in your home also on their own. Metal and stainless steel can create decorative contrasts even in combination with natural materials – such as wood.

Spoilt for choice: Matt or gloss, green, mocha, black or red...



black matt



green apple



sand matt



slate grey



bordeaux



mocha metallic



stainless steel

# MODELS

## MINI KITCHEN PREMIUMLINE



**MP 100**  
see page 17



**MPGS 110**  
see page 19



**MPGS 120**  
see page 21



**MP 100 S**  
see page 17



**MP 120**  
see page 20



**MP 150**  
see page 23



**MPM 100**  
see page 17



**MP 120 A**  
see page 21



**MPS4 150**  
see page 23



**MP 110 S**  
see page 19



**MPM 120 A**  
see page 21



**MPM 150**  
see page 23





**MPGS 150**  
see page 24



**MP 160**  
see page 27



**MPGSM 160**  
see page 28



**MPGSM 150**  
see page 24



**MPM 160**  
see page 27



**MPGSM S3 160**  
see page 28



**MPB 150**  
see page 24



**MPGS 160**  
see page 27



**MPB 160**  
see page 28

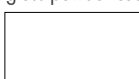
## Colour Range Premiumline

stainless steel



01 - stainless steel

gloss powder coating



00 - white



03 - bordeaux



13 - green apple

matt powder coating



11 - sand



12 - black



14 - mocha metallic

structure  
powder coating



15 - slate grey

# MODELS

## MINI KITCHEN PREMIUMLINE



**MP 170**  
see page 31



**MPGSM 170**  
see page 32



**MPGSMOS 180**  
see page 35



**MPM 170**  
see page 31



**MPB 170**  
see page 32



**MPGS 180 A**  
see page 36



**MPGSMOS 170**  
see page 31



**MP 180 A**  
see page 35



**MPGSM 180 A**  
see page 36



**MPGS 170**  
see page 32



**MPM 180 A**  
see page 35



**MPB 180 A**  
see page 36







MP 100 S

## MINI KITCHEN PREMIUMLINE 100CM MP 100

- > Fridge 4\*-freezer, energy efficiency class A++
- > Premium pantry top brushed and ground, built-in bowl Line 60, drain set and siphon, tap hole, with ceramic hob, induction hob or without hob
- > Metal cupboard unit in white powder coated finish, drawers with softclose
- > Filled double-walled fronts, powder-coated, bar handle in stainless steel
- > Fridge with metal covered fridge door
- > Inclusive all listed electrical appliances
- > Available in eight different colours
- > Delivered assembled and ready to plug in

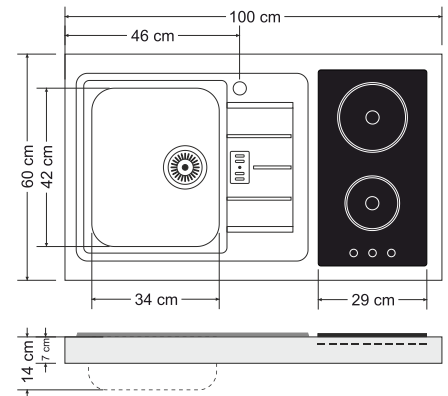
### Top version



ceramic or induction hob



without hob



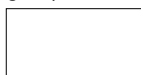
## Colour Range Premiumline

stainless steel



01 - stainless steel

gloss powder coating



00 - white



03 - bordeaux



13 - green apple

matt powder coating



11 - sand



12 - black



14 - mocha metallic

structure  
powder coating

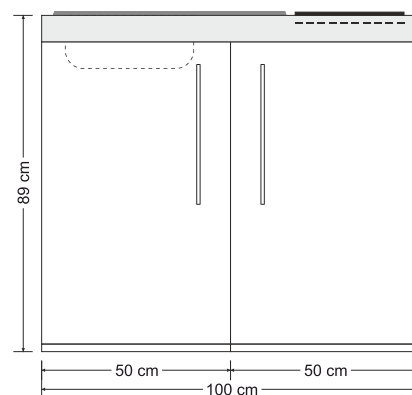


15 - slate grey

## MP 100

### Fridge

article no.	colour	hob	bowlside
10100 000631 - XX		ceramic	bowl right
10100 000641 - XX		ceramic	bowl left
10100 000651 - XX		without	bowl right
10100 000661 - XX		without	bowl left
10100 000671 - XX		inducion	bowl right
10100 000681 - XX		inducion	bowl left

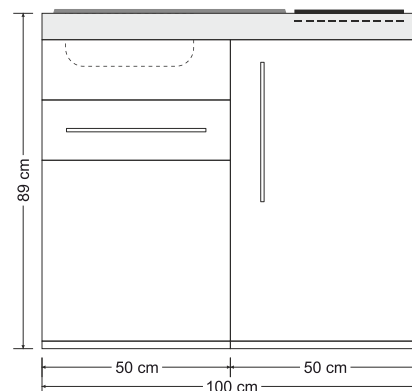


## MP 100 S

### Fridge - Drawer

drawer  
door in the sink cupboard with touch closure

article no.	colour	hob	bowlside
10100 100631 - XX		ceramic	bowl right
10100 100641 - XX		ceramic	bowl left
10100 100651 - XX		without	bowl right
10100 100661 - XX		without	bowl left
10100 100671 - XX		inducion	bowl right
10100 100681 - XX		inducion	bowl left

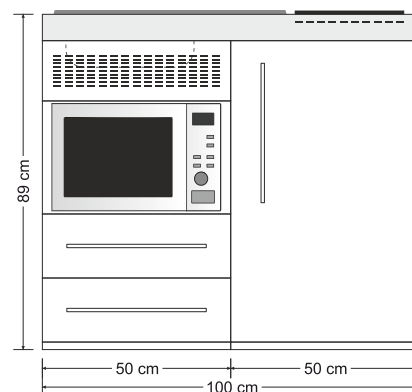


## MPM 100

### Fridge - Microwave

20l microwave /oven combination  
two drawers

article no.	colour	hob	bowlside
10100 010631 - XX		ceramic	bowl right
10100 010641 - XX		ceramic	bowl left
10100 010651 - XX		without	bowl right
10100 010661 - XX		without	bowl left
10100 010671 - XX		inducion	bowl right
10100 010681 - XX		inducion	bowl left





MPGS 110

## MINI KITCHEN PREMIUMLINE 110CM MP 110

- > Fridge 4\*-freezer, energy efficiency class A++
- > Premium pantry top brushed and ground, built-in bowl Line 60, drain set and siphon, tap hole, with ceramic hob, induction hob or without hob
- > Metal cupboard unit in white powder coated finish, drawers with softclose
- > Filled double-walled fronts, powder-coated, bar handle in stainless steel
- > Fridge with metal covered fridge door
- > Inclusive all listed electrical appliances
- > Available in eight different colours
- > Delivered assembled and ready to plug in

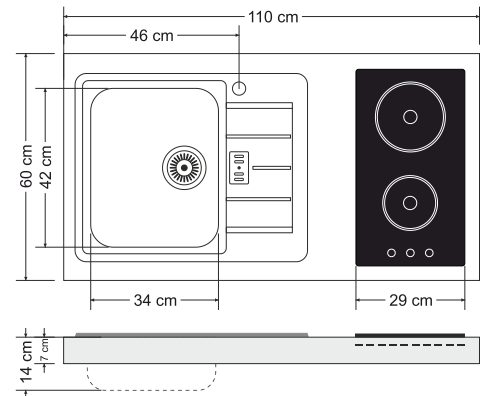
### Top version



ceramic or induction hob



without hob



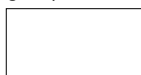
### Colour Range Premiumline

stainless steel



01 - stainless steel

gloss powder coating



00 - white



03 - bordeaux



13 - green apple

matt powder coating



11 - sand



12 - black



14 - mocha metallic

structure powder coating



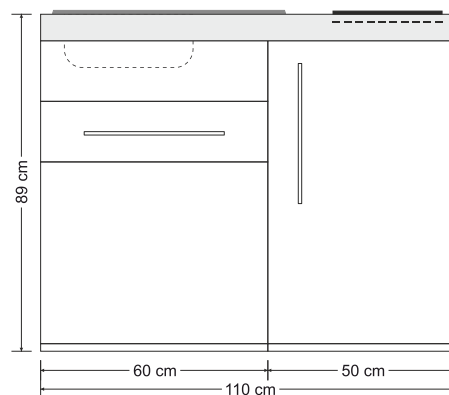
15 - slate grey

## MP 110 S

### Fridge - Drawer

drawer  
door in the sink cupboard with touch closure

article no.	colour	hob	bowlside
10110 102631 - XX		ceramic	bowl right
10110 102641 - XX		ceramic	bowl left
10110 102651 - XX		without	bowl right
10110 102661 - XX		without	bowl left
10110 102671 - XX		inducion	bowl right
10110 102681 - XX		inducion	bowl left

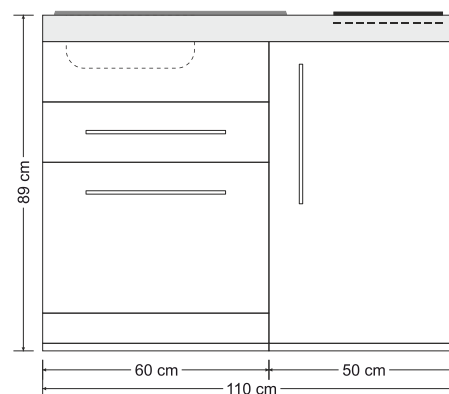


## MPGS 110

### Fridge - Dishwasher

dishwasher - integrated \*  
drawer

article no.	colour	hob	bowlside
10110 680631 - XX		ceramic	bowl right
10110 680641 - XX		ceramic	bowl left
10110 680651 - XX		without	bowl right
10110 680661 - XX		without	bowl left
10110 680671 - XX		inducion	bowl right
10110 680681 - XX		inducion	bowl left





MPM 120 A

## MINI KITCHEN PREMIUMLINE 120CM MP 120

- > Fridge 4\*-freezer, energy efficiency class A++
- > Premium pantry top brushed and ground, built-in bowl Line 60, drain set and siphon, tap hole, with ceramic hob, induction hob or without hob
- > Metal cupboard unit in white powder coated finish, drawers with softclose
- > Filled double-walled fronts, powder-coated, bar handle in stainless steel
- > Fridge with metal covered fridge door
- > Inclusive all listed electrical appliances
- > Available in eight different colours
- > Delivered assembled and ready to plug in

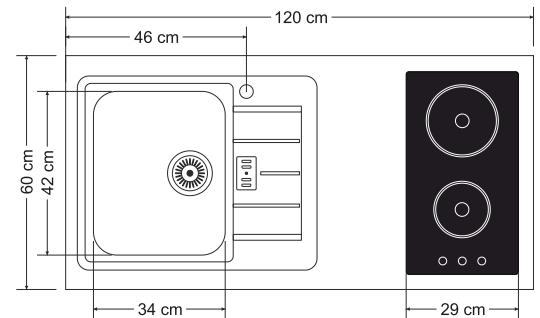
### Top version



ceramic or induction hob



without hob

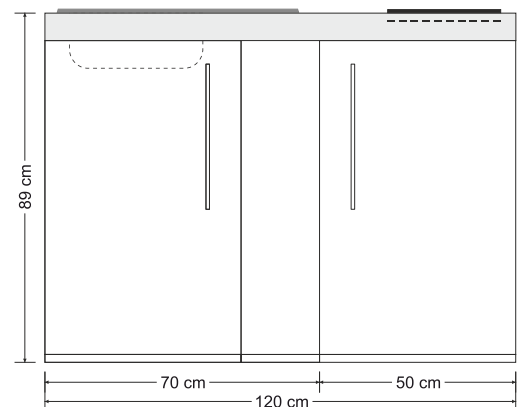


### MP 120

### Fridge

2-door cupboard 50/20 cm

article no.	colour	hob	bowl side
10120 001631 - XX		ceramic	bowl right
10120 001641 - XX		ceramic	bowl left
10120 001651 - XX		without	bowl right
10120 001661 - XX		without	bowl left
10120 001671 - XX		inducion	bowl right
10120 001681 - XX		inducion	bowl left



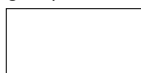
### Colour Range Premiumline

stainless steel



01 - stainless steel

gloss powder coating



00 - white



03 - bordeaux



13 - green apple

matt powder coating



11 - sand



12 - black



14 - mocha metallic

structure powder coating



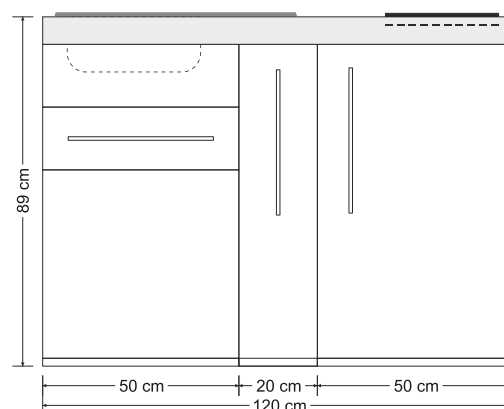
15 - slate grey

## MP 120 A

### Fridge - Pull out unit

pull out unit 20 cm with two baskets  
 door in the sink cupboard with touch closure  
 drawer

article no.	colour	hob	bowlside
10120 102631 - XX		ceramic	bowl right
10120 102641 - XX		ceramic	bowl left
10120 102651 - XX		without	bowl right
10120 102661 - XX		without	bowl left
10120 102671 - XX		inducion	bowl right
10120 102681 - XX		inducion	bowl left

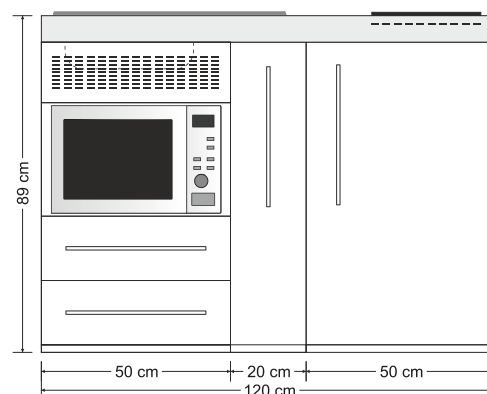


## MPM 120 A

### Fridge - Microwave - Pull out unit

pull out unit 20 cm with two baskets  
 20l microwave /oven combination  
 two drawers

article no.	colour	hob	bowlside
10120 012631 - XX		ceramic	bowl right
10120 012641 - XX		ceramic	bowl left
10120 012651 - XX		without	bowl right
10120 012661 - XX		without	bowl left
10120 012671 - XX		inducion	bowl right
10120 012681 - XX		inducion	bowl left

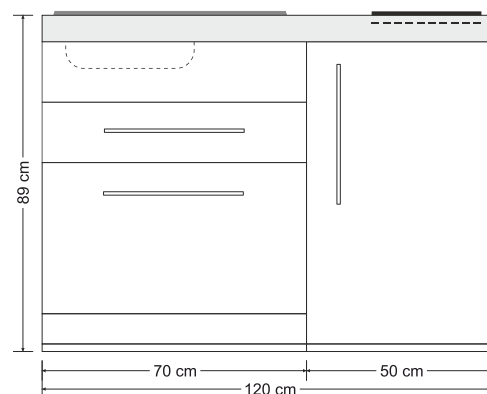


## MPGS 120

### Fridge - Dishwasher

dishwasher - integrated \*  
 drawer

article no.	colour	hob	bowlside
10120 390631 - XX		ceramic	bowl right
10120 390641 - XX		ceramic	bowl left
10120 390651 - XX		without	bowl right
10120 390661 - XX		without	bowl left
10120 390671 - XX		inducion	bowl right
10120 390681 - XX		inducion	bowl left



Reserved manufacturer of electrical equipment. Attention is paid to brands or standard.

\* Installation space behind dishwasher appr. 60 mm. Possibility to increase space by using an infill panel / see page 76



MPS4 150

## MINI KITCHEN PREMIUMLINE 150CM MP 150

- › Fridge 4\*-freezer, energy efficiency class A++
- › Premium pantry top brushed and ground, built-in bowl Line 60, drain set and siphon, tap hole, with ceramic hob, induction hob or without hob
- › Metal cupboard unit in white powder coated finish, drawers with softclose
- › Filled double-walled fronts, powder-coated, bar handle in stainless steel
- › Fridge with metal covered fridge door
- › Inclusive all listed electrical appliances
- › Available in eight different colours
- › Delivered assembled and ready to plug in upon request partially disassembled

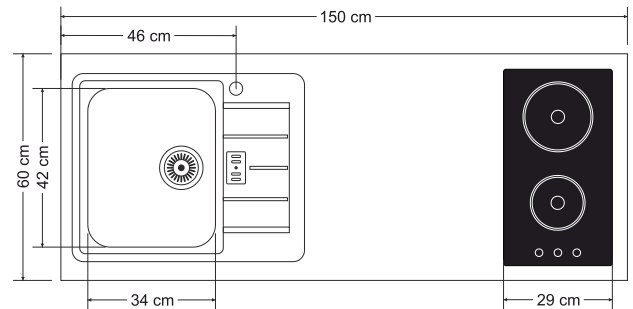
### Top version



ceramic or induction hob



without hob



## Colour Range Premiumline

stainless steel



01 - stainless steel

gloss powder coating



00 - white



03 - bordeaux



13 - green apple

matt powder coating



11 - sand



12 - black



14 - mocha metallic

structure  
powder coating



15 - slate grey

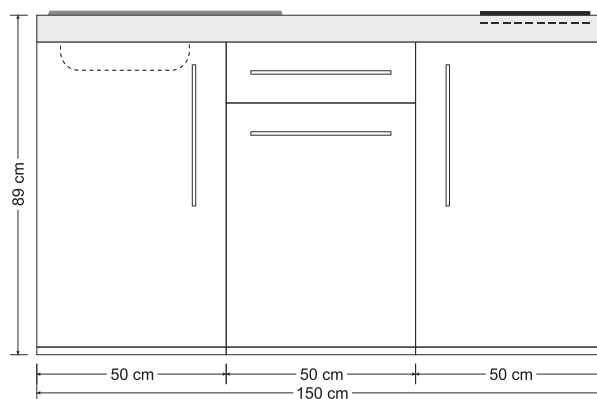


## MP 150

### Fridge

one drawer in the middle cupboard  
door with handle in the middle cupboard

article no.	colour	hob	bowlside
10150 100631 - XX		ceramic	bowl right
10150 100641 - XX		ceramic	bowl left
10150 100651 - XX		without	bowl right
10150 100661 - XX		without	bowl left
10150 100671 - XX		inducion	bowl right
10150 100681 - XX		inducion	bowl left

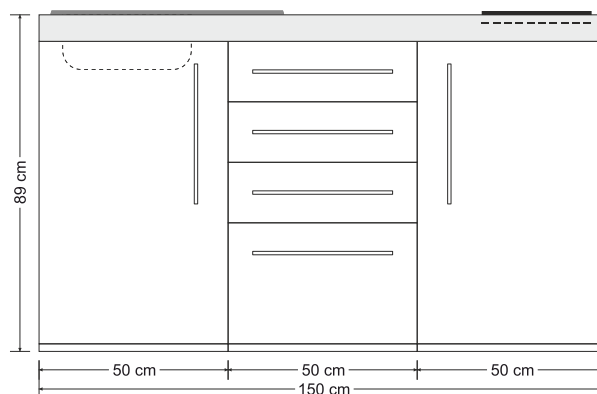


## MPS4 150

### Fridge - Drawers

four drawer cupboard

article no.	colour	hob	bowlside
10150 004631 - XX		ceramic	bowl right
10150 004641 - XX		ceramic	bowl left
10150 004651 - XX		without	bowl right
10150 004661 - XX		without	bowl left
10150 004671 - XX		inducion	bowl right
10150 004681 - XX		inducion	bowl left

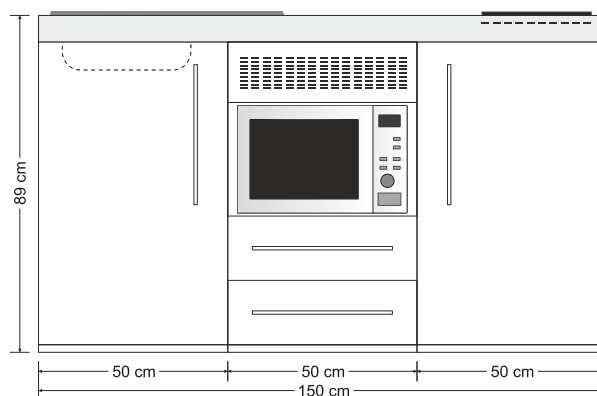


## MPM 150

### Fridge - Microwave

20l microwave /oven combination  
two drawers

article no.	colour	hob	bowlside
10150 010631 - XX		ceramic	bowl right
10150 010641 - XX		ceramic	bowl left
10150 010651 - XX		without	bowl right
10150 010661 - XX		without	bowl left
10150 010671 - XX		inducion	bowl right
10150 010681 - XX		inducion	bowl left

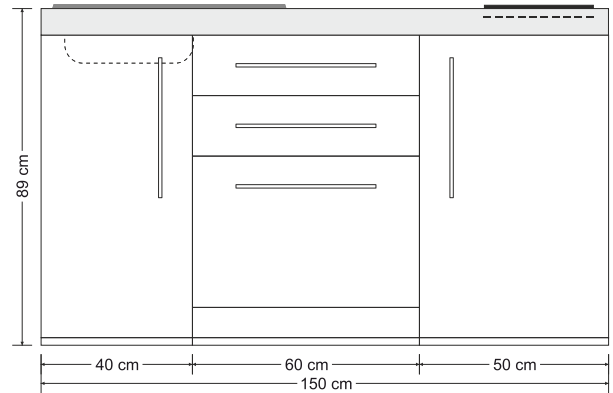


## MPGS 150

### Fridge - Dishwasher

dishwasher - integrated  
two drawers

article no.	colour	hob	bowlside
10150 680631 - XX		ceramic	bowl right
10150 680641 - XX		ceramic	bowl left
10150 680651 - XX		without	bowl right
10150 680661 - XX		without	bowl left
10150 680671 - XX		inducion	bowl right
10150 680681 - XX		inducion	bowl left

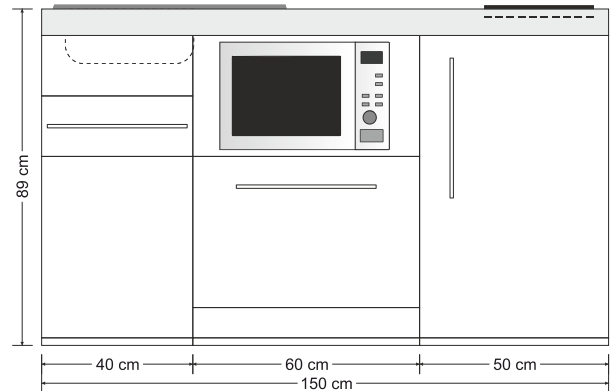


## MPGSM150

### Fridge - Dishwasher - Microwave

dishwasher - integrated  
20l microwave /oven combination  
door in the sink cupboard with touch closure  
drawer

article no.	colour	hob	bowlside
10150 781631 - XX		ceramic	bowl right
10150 781641 - XX		ceramic	bowl left
10150 781651 - XX		without	bowl right
10150 781661 - XX		without	bowl left
10150 781671 - XX		inducion	bowl right
10150 781681 - XX		inducion	bowl left

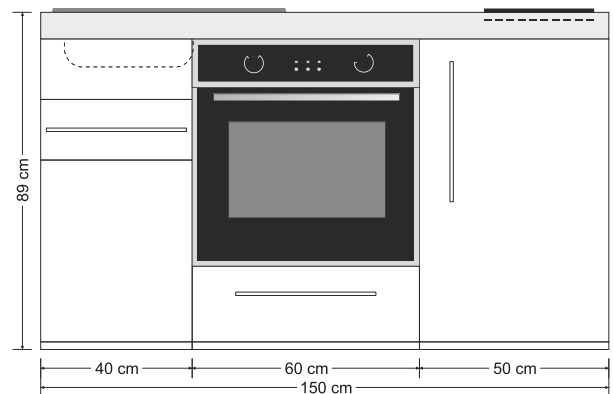


## MPB 150

### Fridge - Oven

stainless steel oven  
door in the sink cupboard with touch closure  
two drawers

article no.	colour	hob	bowlside
10150 106631 - XX		ceramic	bowl right
10150 106641 - XX		ceramic	bowl left
10150 106651 - XX		without	bowl right
10150 106661 - XX		without	bowl left
10150 106671 - XX		inducion	bowl right
10150 106681 - XX		inducion	bowl left







MPGSM 160

## MINI KITCHEN PREMIUMLINE 160CM MP 160

- › Fridge 4\*-freezer, energy efficiency class A++
- › Premium pantry top brushed and ground, built-in bowl Line 60, drain set and siphon, tap hole, with ceramic hob, induction hob or without hob
- › Metal cupboard unit in white powder coated finish, drawers with softclose
- › Filled double-walled fronts, powder-coated, bar handle in stainless steel
- › Fridge with metal covered fridge door
- › Inclusive all listed electrical appliances
- › Available in eight different colours
- › Delivered assembled and ready to plug in upon request partially disassembled

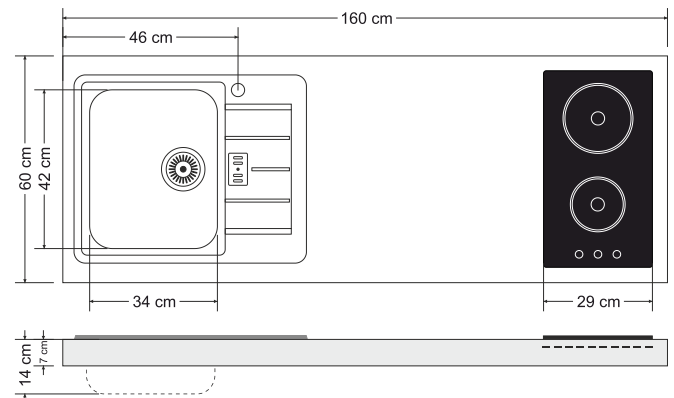
### Top version



ceramic or induction hob



without hob



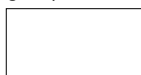
## Colour Range Premiumline

stainless steel



01 - stainless steel

gloss powder coating



00 - white



03 - bordeaux



13 - green apple

matt powder coating



11 - sand



12 - black



14 - mocha metallic

structure powder coating



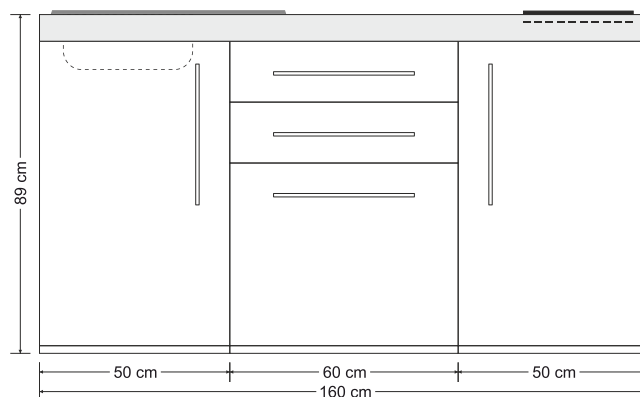
15 - slate grey

## MP 160

### Fridge

two drawers in the middle cupboard  
door with handle in the middle cupboard

article no.	colour	hob	bowlside
10160 080631 - XX		ceramic	bowl right
10160 080641 - XX		ceramic	bowl left
10160 080651 - XX		without	bowl right
10160 080661 - XX		without	bowl left
10160 080671 - XX		inducion	bowl right
10160 080681 - XX		inducion	bowl left

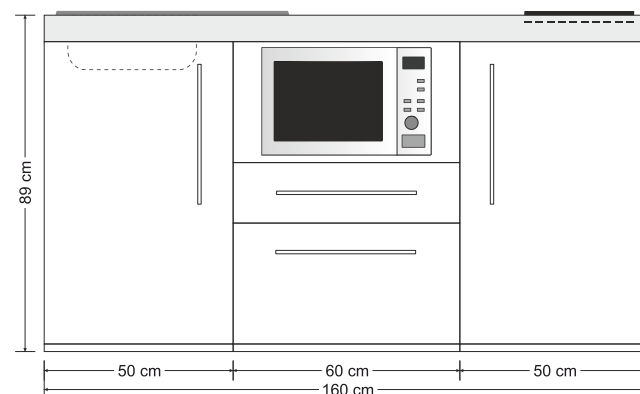


## MPM 160

### Fridge - Microwave

two drawers  
20l microwave /oven combination

article no.	colour	hob	bowlside
10160 030631 - XX		ceramic	bowl right
10160 030641 - XX		ceramic	bowl left
10160 030651 - XX		without	bowl right
10160 030661 - XX		without	bowl left
10160 030671 - XX		inducion	bowl right
10160 030681 - XX		inducion	bowl left

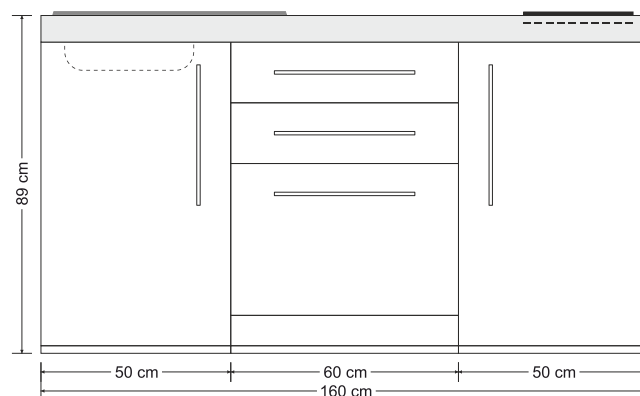


## MPGS 160

### Fridge - Dishwasher

dishwasher - integrated  
two drawers

article no.	colour	hob	bowlside
10160 680631 - XX		ceramic	bowl right
10160 680641 - XX		ceramic	bowl left
10160 680651 - XX		without	bowl right
10160 680661 - XX		without	bowl left
10160 680671 - XX		inducion	bowl right
10160 680681 - XX		inducion	bowl left

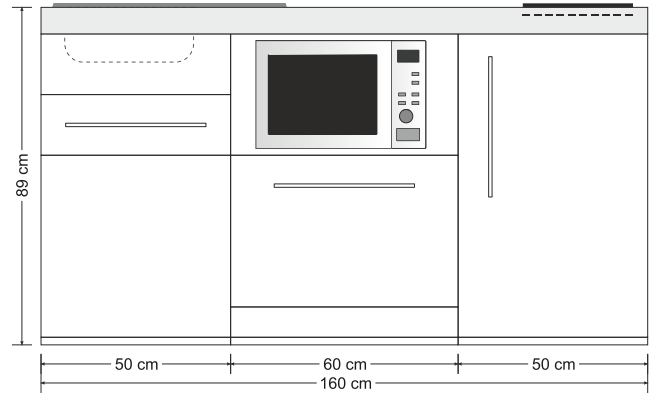


## MPGSM 160

### Fridge - Dishwasher - Microwave

dishwasher - integrated  
20l microwave /oven combination  
door in the sink cupboard with touch closure  
drawer

article no.	colour	hob	bowlside
10160 781631 - XX		ceramic	bowl right
10160 781641 - XX		ceramic	bowl left
10160 781651 - XX		without	bowl right
10160 781661 - XX		without	bowl left
10160 781671 - XX		inducion	bowl right
10160 781681 - XX		inducion	bowl left

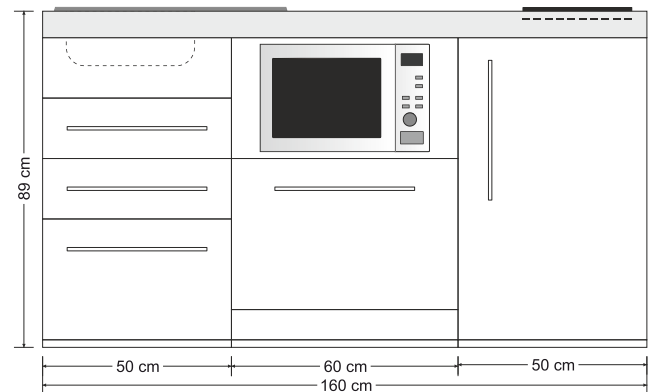


## MPGSMS3 160

### Fridge - Dishwasher - Microwave - Drawers

dishwasher - integrated  
20l microwave /oven combination  
three drawer cupboard

article no.	colour	hob	bowlside
10160 783631 - XX		ceramic	bowl right
10160 783641 - XX		ceramic	bowl left
10160 783651 - XX		without	bowl right
10160 783661 - XX		without	bowl left
10160 783671 - XX		inducion	bowl right
10160 783681 - XX		inducion	bowl left

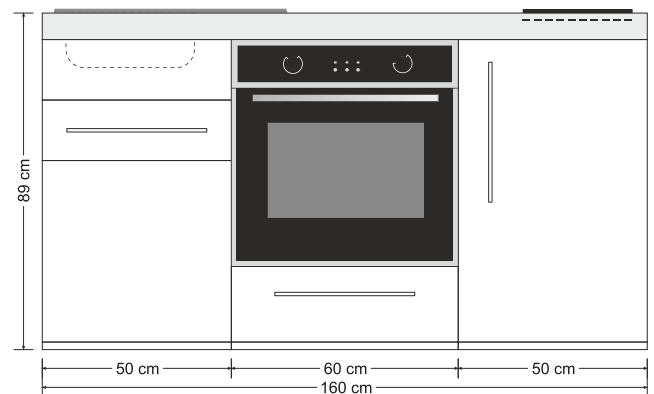


## MPB 160

### Fridge - Oven

stainless steel oven  
door in the sink cupboard with touch closure  
two drawers

article no.	colour	hob	bowlside
10160 106631 - XX		ceramic	bowl right
10160 106641 - XX		ceramic	bowl left
10160 106651 - XX		without	bowl right
10160 106661 - XX		without	bowl left
10160 106671 - XX		inducion	bowl right
10160 106681 - XX		inducion	bowl left







MPGSM 170

## MINI KITCHEN PREMIUMLINE 170CM MP 170

- > Fridge 4\*-freezer, energy efficiency class A++
- > Premium pantry top brushed and ground, built-in bowl Line 60, drain set and siphon, tap hole, with ceramic hob, induction hob or without hob
- > Metal cupboard unit in white powder coated finish, drawers with softclose
- > Filled double-walled fronts, powder-coated, bar handle in stainless steel
- > Fridge with metal covered fridge door
- > Inclusive all listed electrical appliances
- > Available in eight different colours
- > Delivered assembled and ready to plug in upon request partially disassembled

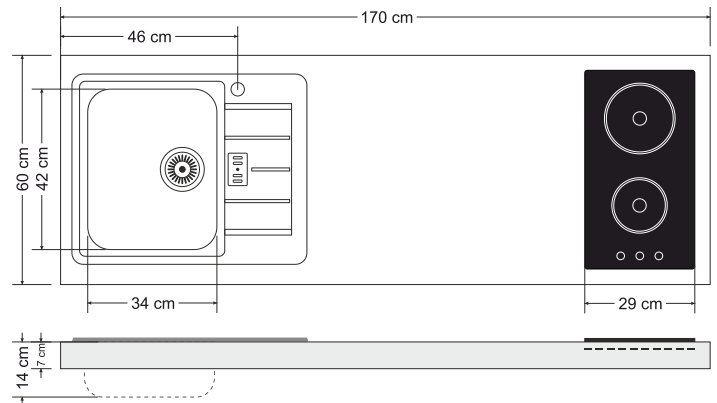
### Top version



ceramic or induction hob



without hob



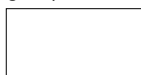
### Colour Range Premiumline

stainless steel



01 - stainless steel

gloss powder coating



00 - white



03 - bordeaux



13 - green apple

matt powder coating



11 - sand



12 - black



14 - mocha metallic

structure  
powder coating



15 - slate grey

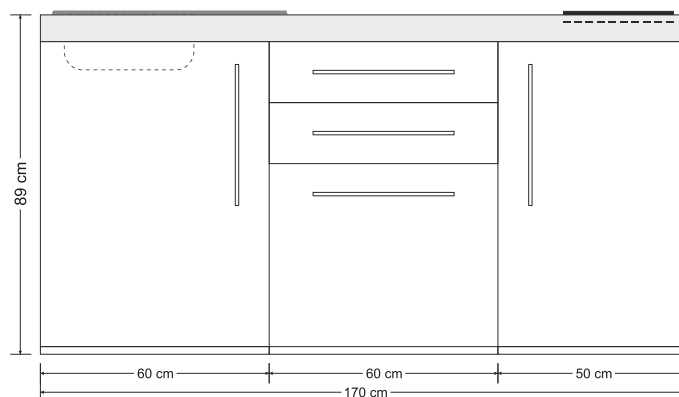


## MP 170

### Fridge

two drawers in the middle cupboard  
door with handle in the middle cupboard

article no.	colour	hob	bowlside
10170 080631 - XX		ceramic	bowl right
10170 080641 - XX		ceramic	bowl left
10170 080651 - XX		without	bowl right
10170 080661 - XX		without	bowl left
10170 080671 - XX		inducion	bowl right
10170 080681 - XX		inducion	bowl left

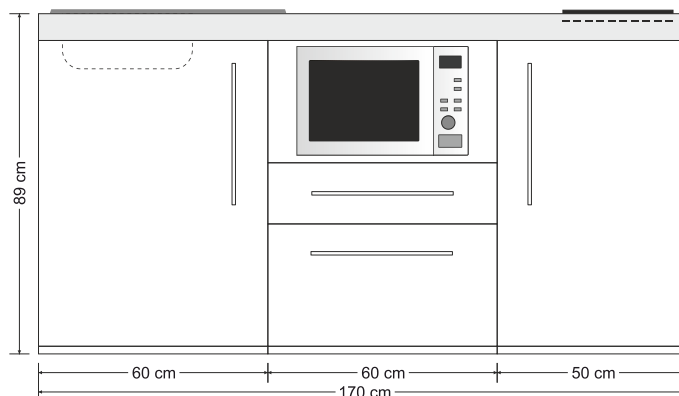


## MPM 170

### Fridge - Microwave

20l microwave /oven combination  
two drawers

article no.	colour	hob	bowlside
10170 030631 - XX		ceramic	bowl right
10170 030641 - XX		ceramic	bowl left
10170 030651 - XX		without	bowl right
10170 030661 - XX		without	bowl left
10170 030671 - XX		inducion	bowl right
10170 030681 - XX		inducion	bowl left

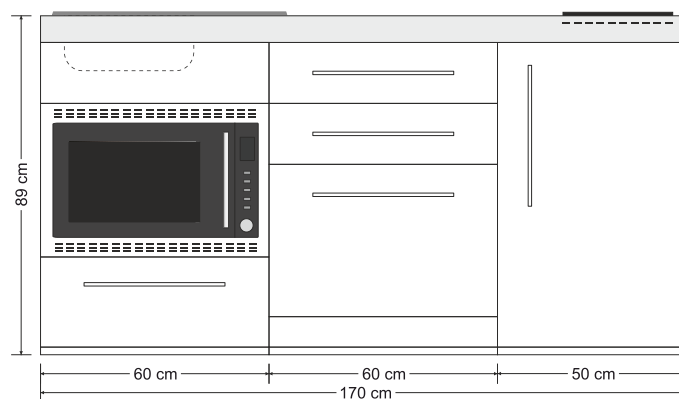


## MPGSMOS 170

### Fridge - Dishwasher - Microoven

dishwasher - integrated  
30l microwave /oven combination  
three drawers

article no.	colour	hob	bowlside
10170 880631 - XX		ceramic	bowl right
10170 880641 - XX		ceramic	bowl left
10170 880651 - XX		without	bowl right
10170 880661 - XX		without	bowl left
10170 880671 - XX		inducion	bowl right
10170 880681 - XX		inducion	bowl left

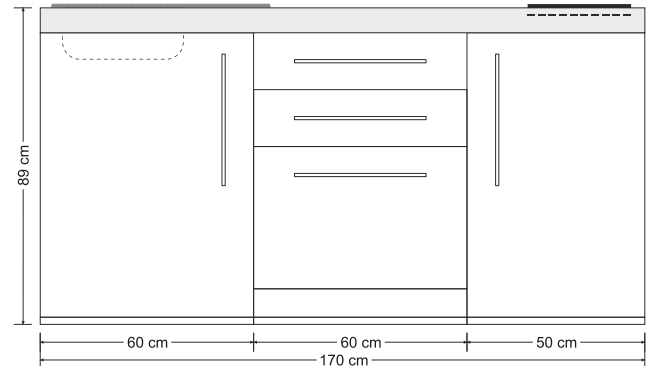


## MPGS 170

### Fridge - Dishwasher

dishwasher - integrated  
two drawers

article no.	colour	hob	bowlside
10170 680631 - XX		ceramic	bowl right
10170 680641 - XX		ceramic	bowl left
10170 680651 - XX		without	bowl right
10170 680661 - XX		without	bowl left
10170 680671 - XX		inducion	bowl right
10170 680681 - XX		inducion	bowl left

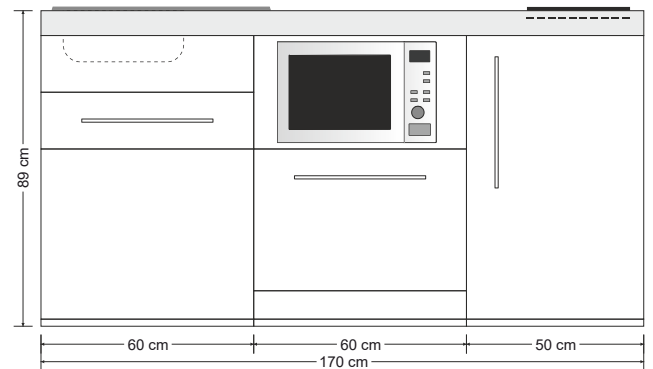


## MPGSM 170

### Fridge - Dishwasher - Microwave

dishwasher - integrated  
20l microwave /oven combination  
door in the sink cupboard with touch closure  
drawer

article no.	colour	hob	bowlside
10170 781631 - XX		ceramic	bowl right
10170 781641 - XX		ceramic	bowl left
10170 781651 - XX		without	bowl right
10170 781661 - XX		without	bowl left
10170 781671 - XX		inducion	bowl right
10170 781681 - XX		inducion	bowl left

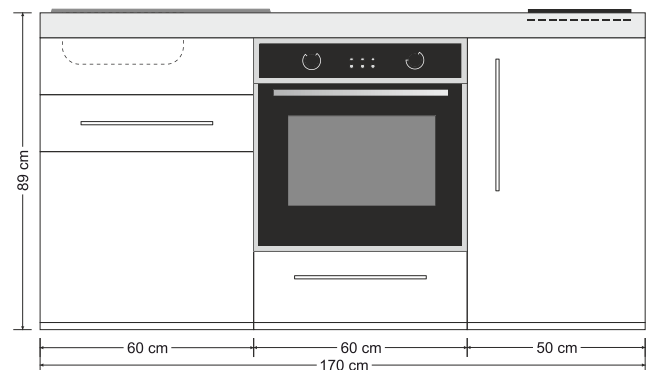


## MPB 170

### Fridge - Oven

stainless steel oven  
door in the sink cupboard with touch closure  
two drawers

article no.	colour	hob	bowlside
10170 106631 - XX		ceramic	bowl right
10170 106641 - XX		ceramic	bowl left
10170 106651 - XX		without	bowl right
10170 106661 - XX		without	bowl left
10170 106671 - XX		inducion	bowl right
10170 106681 - XX		inducion	bowl left







MPB 180 A

## MINI KITCHEN PREMIUMLINE 180CM MP 180

- › Fridge 4\*-freezer, energy efficiency class A++
- › Premium pantry top brushed and ground, built-in bowl Line 60, drain set and siphon, tap hole, with ceramic hob, induction hob or without hob
- › Metal cupboard unit in white powder coated finish, drawers with softclose
- › Filled double-walled fronts, powder-coated, bar handle in stainless steel
- › Fridge with metal covered fridge door
- › Inclusive all listed electrical appliances
- › Available in eight different colours
- › Delivered assembled and ready to plug in upon request partially disassembled

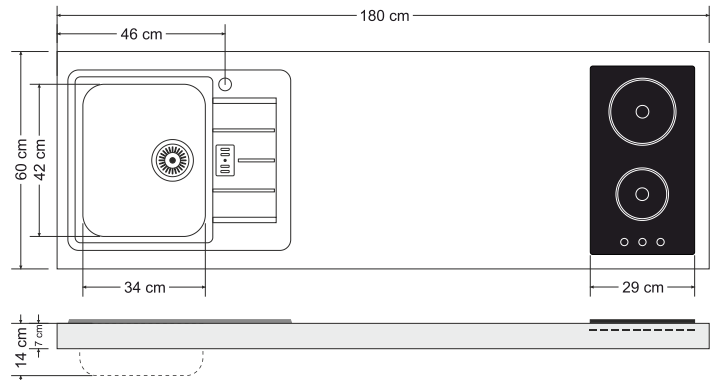
### Top version



ceramic or induction hob



without hob



### Colour Range Premiumline

stainless steel



01 - stainless steel

gloss powder coating



00 - white



03 - bordeaux



13 - green apple

matt powder coating



11 - sand



12 - black



14 - mocha metallic

structure powder coating



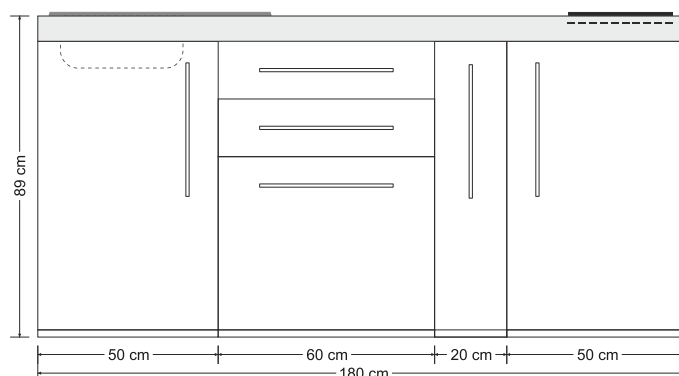
15 - slate grey

## MP 180 A

### Fridge - Pull out unit

pull out unit 20 cm with two baskets  
two drawers in the middle cupboard

article no.	colour	hob	bowlside
10180 082631 - XX		ceramic	bowl right
10180 082641 - XX		ceramic	bowl left
10180 082651 - XX		without	bowl right
10180 082661 - XX		without	bowl left
10180 082671 - XX		inducion	bowl right
10180 082681 - XX		inducion	bowl left

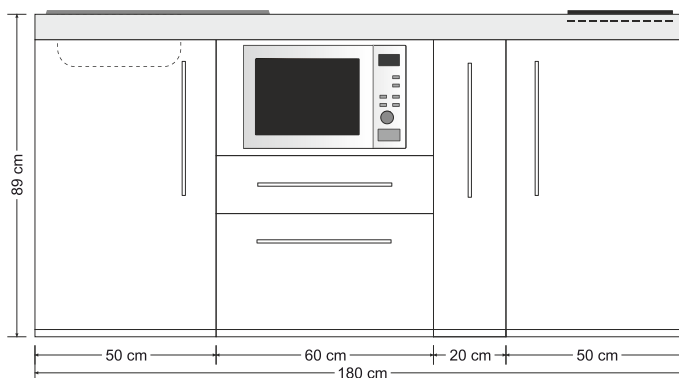


## MPM 180 A

### Fridge - Microwave - Pull out unit

pull out unit 20 cm with two baskets  
20l microwave /oven combination  
two drawers

article no.	colour	hob	bowlside
10180 032631 - XX		ceramic	bowl right
10180 032641 - XX		ceramic	bowl left
10180 032651 - XX		without	bowl right
10180 032661 - XX		without	bowl left
10180 032671 - XX		inducion	bowl right
10180 032681 - XX		inducion	bowl left

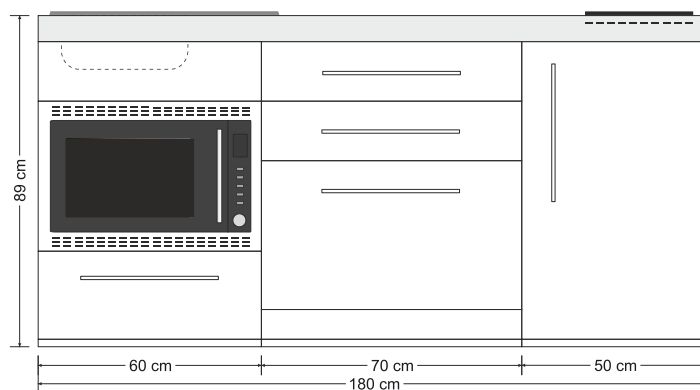


## MPGSMOS 180

### Fridge - Dishwasher - Microoven

dishwasher - integrated  
30l microwave /oven combination  
two drawers

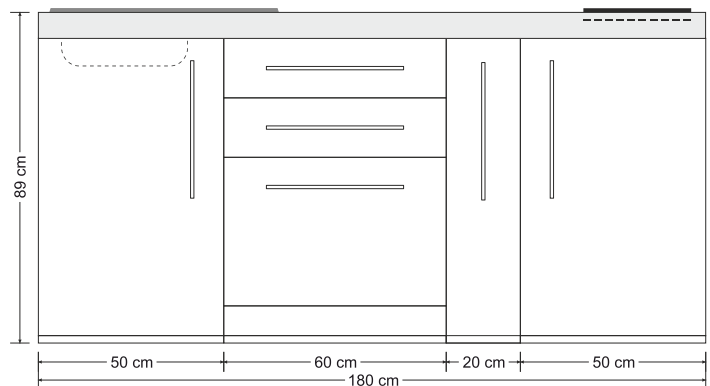
article no.	colour	hob	bowlside
10180 880631 - XX		ceramic	bowl right
10180 880641 - XX		ceramic	bowl left
10180 880651 - XX		without	bowl right
10180 880661 - XX		without	bowl left
10180 880671 - XX		inducion	bowl right
10180 880681 - XX		inducion	bowl left



## MPGS 180 A Fridge - Dishwasher - Pull out unit

pull out unit 20 cm with two baskets  
dishwasher - integrated  
two drawers

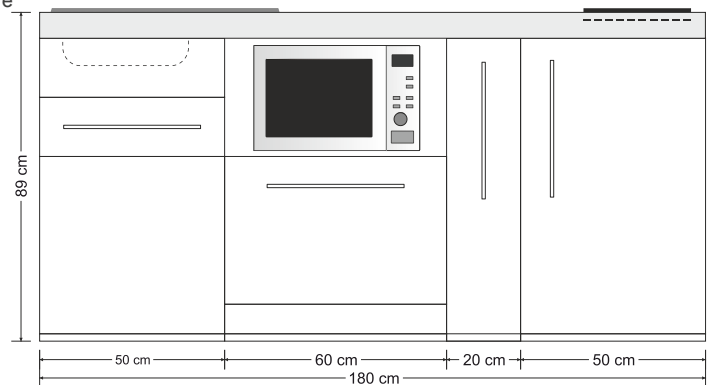
article no.	colour	hob	bowlside
10180 682631 - XX		ceramic	bowl right
10180 682641 - XX		ceramic	bowl left
10180 682651 - XX		without	bowl right
10180 682661 - XX		without	bowl left
10180 682671 - XX		inducion	bowl right
10180 682681 - XX		inducion	bowl left



## MPGSM 180 A Fridge - Dishwasher - Microwave - Pull out unit

door in the sink cupboard with touch closure  
pull out unit 20 cm with two baskets  
dishwasher - integrated  
20l microwave /oven combination  
drawer

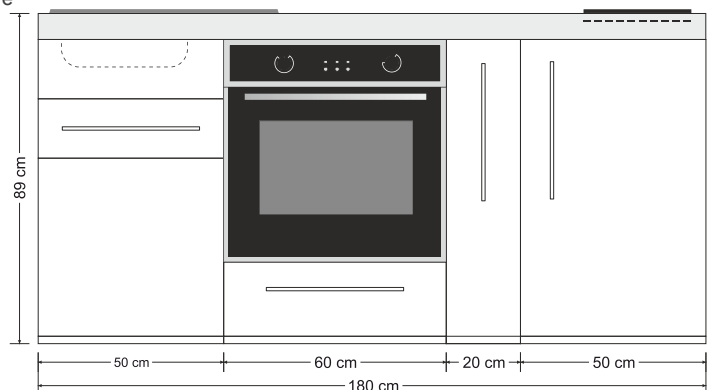
article no.	colour	hob	bowlside
10180 782631 - XX		ceramic	bowl right
10180 782641 - XX		ceramic	bowl left
10180 782651 - XX		without	bowl right
10180 782661 - XX		without	bowl left
10180 782671 - XX		inducion	bowl right
10180 782681 - XX		inducion	bowl left



## MPB 180 A Fridge - Oven

door in the sink cupboard with touch closure  
pull out unit 20 cm with two baskets  
stainless steel oven  
two drawers

article no.	colour	hob	bowlside
10180 162631 - XX		ceramic	bowl right
10180 162641 - XX		ceramic	bowl left
10180 162651 - XX		without	bowl right
10180 162661 - XX		without	bowl left
10180 162671 - XX		inducion	bowl right
10180 162681 - XX		inducion	bowl left





# MK KITCHENLINE

## MINI KITCHEN

COMPACT AND PERFECT - OUR ENTRY KITCHEN  
MADE OF METAL AND FINISHED IN POWDER  
COATED STEEL

If you are looking for quality for a small price then a **Stengel Kitchenline** is made for you. Sink, hotplates, fridge, storage space, microwave, dishwasher - all compact and in one **mini kitchen**.

Kitchenline is made of powder coated metal and is equipped with insulated, double-walled doors. **Kitchenline** is available in seven widths 90, 100, 120 and 150 cm.

Please discover the many combinations in the following pages.







# MK KITCHENLINE IN COLOUR

Fancy some colour?

Our new fashionable colours allow you to create great design highlights or add a fresh splash of colour.

With coloured surfaces on all visible sides, our **mini kitchen** will make for a furnishing highlight in your home also on their own. Metal and stainless steel can create decorative contrasts even in combination with natural materials – such as wood.

Spoilt for choice: Matt or gloss, green, mocha, black or red...



mocha metallic



sand matt



black matt



bordeaux



green apple

# MODELS

## KITCHENLINE MK



**MK 90**  
see page 43



**MK 120**  
see page 46



**MK 150**  
see page 49



**MK 100**  
see page 45



**MK 120 A**  
see page 47



**MKM 150**  
see page 49



**MKM 100**  
see page 45



**MKM 120**  
see page 47



**MKB 150**  
see page 49



**MKB 100**  
see page 45



**MKM 120 A**  
see page 47



MK 90

## MINI KITCHEN KITCHENLINE 90CM MK 90

- > Fridge 4\*-freezer, energy efficiency class A++
- > Pantry top in stainless steel, hob controls on the front, single sink, waste kit, 35mm hole for tap, a choice of solid hotplates, ceramic hob or without hob
- > Metal cupboard unit in white powder coated finish
- > Filled double-walled fronts, powder-coated, standard handle
- > Within all mentioned electrical appliances
- > Available in six different colours (\*1)
- > Delivered assembled and ready to plug in

### Top version



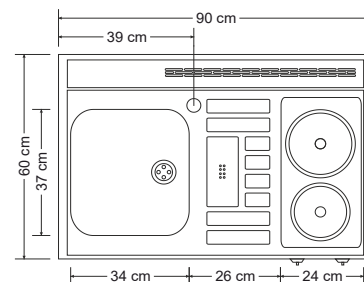
electric hotplates



ceramic



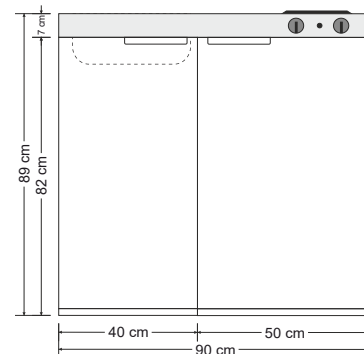
without hob



### MK 90

### Fridge

article no.	colour	hob	bowl side
11090 000011 - XX		electric	bowl right
11090 000021 - XX		electric	bowl left
11090 000031 - XX		ceramic	bowl right
11090 000041 - XX		ceramic	bowl left
11090 000051 - XX		without	bowl right
11090 000061 - XX		without	bowl left



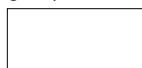
### Colour Range Kitchenline

stainless steel



01 - stainless steel

gloss powder coating



00 - white



03 - bordeaux



13 - green apple

matt powder coating



11 - sand



12 - black



14 - mocha metallic

 structure  
powder coating


15 - slate grey

Reserved manufacturer of electrical equipment. Attention is paid to brands or standard.

(\*1) Coloured models with metal covered fridge door



MK 100

## MINI KITCHEN KITCHENLINE 100CM MK 100

- > Fridge 4\*-freezer, energy efficiency class A++
- > Pantry top in stainless steel, hob controls on the front, bowl, drain set, 35mm hole for tap, a choice of solid hotplates, ceramic hob or without hob
- > Metal cupboard unit in white powder coated finish
- > Filled double-walled fronts, powder-coated, standard handle
- > Within all mentioned electrical appliances
- > Available in six different colours (\*1)
- > Delivered assembled and ready to plug in

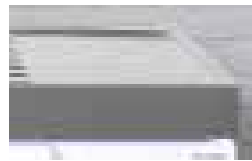
### Top version



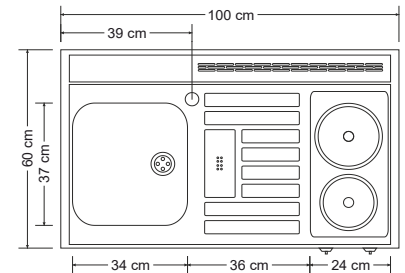
electric hotplates



ceramic hob



without hob



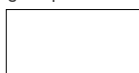
## Colour Range Kitchenline

stainless steel



01 - stainless steel

gloss powder coating



00 - white



03 - bordeaux



13 - green apple

matt powder coating



11 - sand



12 - black



14 - mocha metallic

structure  
powder coating

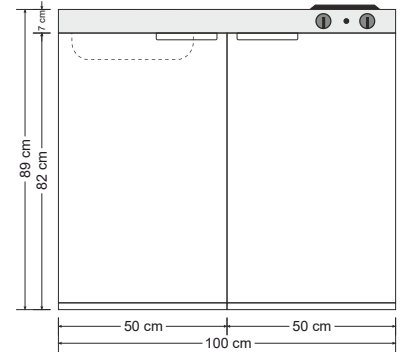


15 - slate grey

## MK 100

### Fridge

article no.	colour	hob	bowlside
11100 000011 - XX		electric	bowl right
11100 000021 - XX		electric	bowl left
11100 000031 - XX		ceramic	bowl right
11100 000041 - XX		ceramic	bowl left
11100 000051 - XX		without	bowl right
11100 000061 - XX		without	bowl left

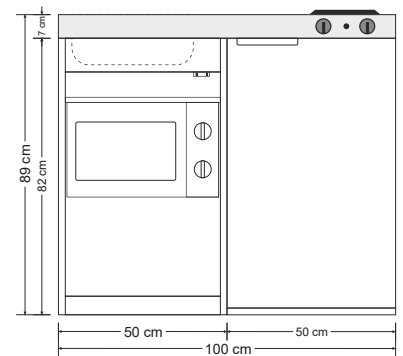


## MKM 100

### Fridge - Microwave

microwave, located behind the door

article no.	colour	hob	bowlside
11100 010011 - XX		electric	bowl right
11100 010021 - XX		electric	bowl left
11100 010031 - XX		ceramic	bowl right
11100 010041 - XX		ceramic	bowl left
11100 010051 - XX		without	bowl right
11100 010061 - XX		without	bowl left



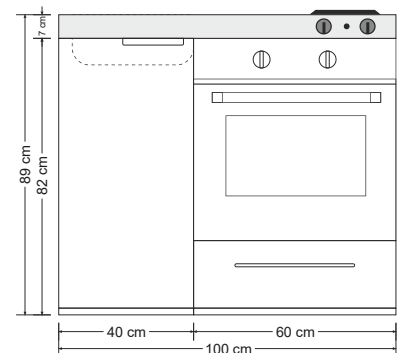
## MKB 100

### Oven

oven \*

empty cupboard 40cm, without fridge  
drawer

article no.	colour	hob	bowlside
11100 006011 - XX		electric	bowl right
11100 006021 - XX		electric	bowl left
11100 006031 - XX		ceramic	bowl right
11100 006041 - XX		ceramic	bowl left
11100 006051 - XX		without	bowl right
11100 006061 - XX		without	bowl left



Reserved manufacturer of electrical equipment. Attention is paid to brands or standard.

\* white or for coloured kitchens in stainless steel





MKM 120 A

## MINI KITCHEN KITCHENLINE 120CM MK 120

- > Fridge 4\*-freezer, energy efficiency class A++
- > Pantry top in stainless steel, hob controls on the front, bowl, drain set, 35mm hole for tap, a choice of solid hotplates, ceramic hob or without hob
- > Metal cupboard unit in white powder coated finish
- > Filled double-walled fronts, powder-coated, standard handle
- > Within all mentioned electrical appliances
- > Available in six different colours (\*1)
- > Delivered assembled and ready to plug in

### Top version



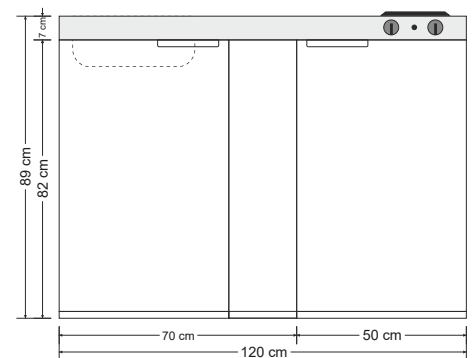
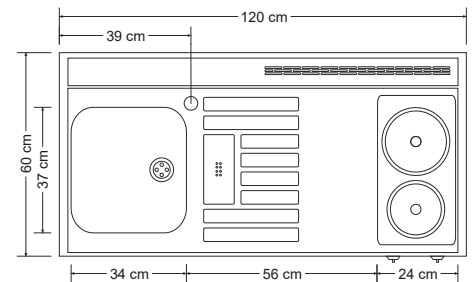
electric hotplates



ceramic hob



without hob



## MK 120

### Fridge

2-door cupboard 50/20 cm

article no.	colour	hob	bowlside
11120 001011 - XX		electric	bowl right
11120 001021 - XX		electric	bowl left
11120 001031 - XX		ceramic	bowl right
11120 001041 - XX		ceramic	bowl left
11120 001051 - XX		without	bowl right
11120 001061 - XX		without	bowl left

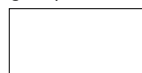
## Colour Range Kitchenline

stainless steel



01 - stainless steel

gloss powder coating



00 - white



03 - bordeaux



13 - green apple

matt powder coating



11 - sand



12 - black



14 - mocha metallic

structure  
powder coating



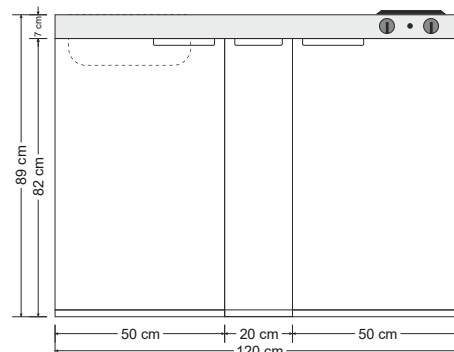
15 - slate grey

## MK 120 A

### Fridge - Pull out unit

pull out unit 20 cm with two baskets

article no.	colour	hob	bowlside
11120 002011 - XX		electric	bowl right
11120 002021 - XX		electric	bowl left
11120 002031 - XX		ceramic	bowl right
11120 002041 - XX		ceramic	bowl left
11120 002051 - XX		without	bowl right
11120 002061 - XX		without	bowl left

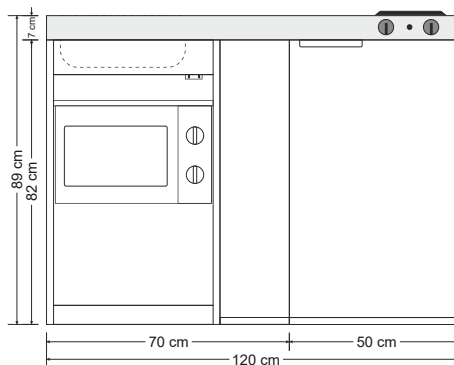


## MKM 120

### Fridge - Microwave

2-door cupboard 50/20 cm  
microwave, located behind the door

article no.	colour	hob	bowlside
11120 011011 - XX		electric	bowl right
11120 011021 - XX		electric	bowl left
11120 011031 - XX		ceramic	bowl right
11120 011041 - XX		ceramic	bowl left
11120 011051 - XX		without	bowl right
11120 011061 - XX		without	bowl left

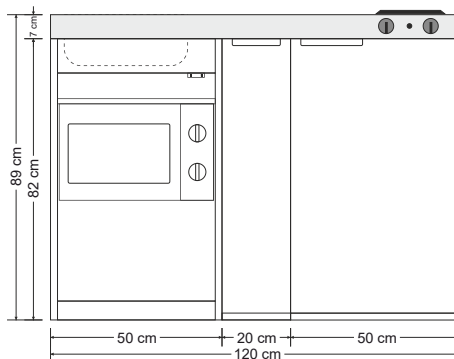


## MKM 120 A

### Fridge - Microwave - Pull out unit

pull out unit 20 cm with two baskets  
microwave, located behind the door

article no.	colour	hob	bowlside
11120 012011 - XX		electric	bowl right
11120 012021 - XX		electric	bowl left
11120 012031 - XX		ceramic	bowl right
11120 012041 - XX		ceramic	bowl left
11120 012051 - XX		without	bowl right
11120 012061 - XX		without	bowl left





MKB 150

## MINI KITCHEN KITCHENLINE 150CM MK 150

- > Fridge 4\*-freezer, energy efficiency class A++
- > Pantry top in stainless steel, hob controls on the front, bowl, drain set, 35mm hole for tap, a choice of solid hotplates, ceramic hob or without hob
- > Metal cupboard unit in white powder coated finish
- > Filled double-walled fronts, powder-coated, standard handle
- > Within all mentioned electrical appliances
- > Available in six different colours (\*1)
- > Delivered assembled and ready to plug in

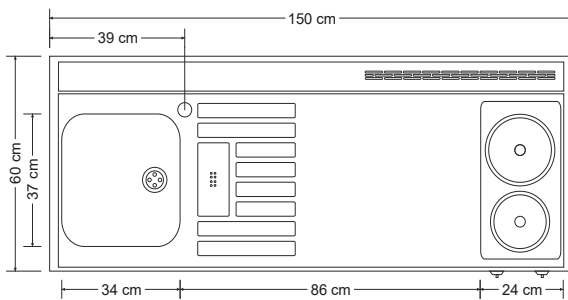
### Top version



electric hotplates

ceramic hob

without hob



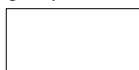
## Colour Range Kitchenline

stainless steel



01 - stainless steel

gloss powder coating



00 - white



03 - bordeaux



13 - green apple

matt powder coating



11 - sand



12 - black



14 - mocha metallic

structure  
powder coating

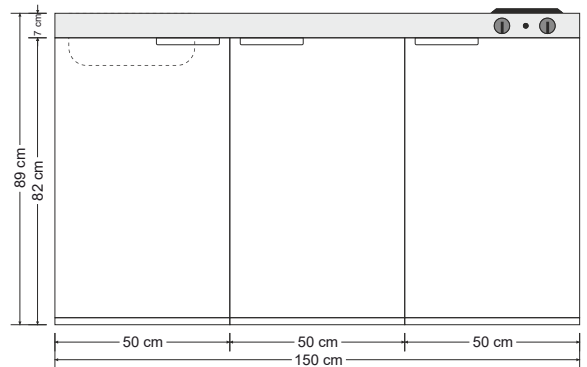


15 - slate grey

## MK 150

### Fridge

article no.	colour	hob	bowlside
11150 000011 - XX		electric	bowl right
11150 000021 - XX		electric	bowl left
11150 000031 - XX		ceramic	bowl right
11150 000041 - XX		ceramic	bowl left
11150 000051 - XX		without	bowl right
11150 000061 - XX		without	bowl left

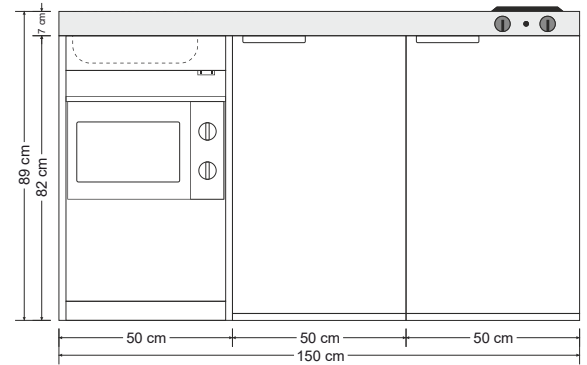


## MKM 150

### Fridge - Microwave

microwave, located behind the door

article no.	colour	hob	bowlside
11150 010011 - XX		electric	bowl right
11150 010021 - XX		electric	bowl left
11150 010031 - XX		ceramic	bowl right
11150 010041 - XX		ceramic	bowl left
11150 010051 - XX		without	bowl right
11150 010061 - XX		without	bowl left

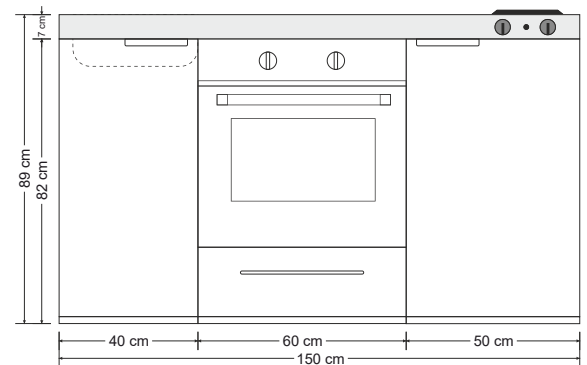


## MKB 150

### Fridge - Oven

oven \*  
drawer

article no.	colour	hob	bowlside
11150 006011 - XX		electric	bowl right
11150 006021 - XX		electric	bowl left
11150 006031 - XX		ceramic	bowl right
11150 006041 - XX		ceramic	bowl left
11150 006051 - XX		without	bowl right
11150 006061 - XX		without	bowl left



Reserved manufacturer of electrical equipment. Attention is paid to brands or standard.

\* white or for coloured kitchens in stainless steel

# ME EASYLINE MINI KITCHEN

## EASY AND FUNCTIONAL – OUR ME EASYLINE

If less is more for you, then you have come to the right place. The Easyline models come with the impressive **Stengel** quality at an affordable price. All essential requirements – refrigerating, dish washing and cooking – are catered for

The **mini kitchen** made of powder-coated steel plate features double-walled doors with touch opening





Easyline ME

## MINI KITCHEN EASYLINE 100CM ME 100

- › Fridge 2\*-freezer, energy efficiency class A++
- › Pantry top in stainless steel, hob controls on the front, bowl, drain set, 35mm hole for tap, a choice of solid hotplates, ceramic hob or without hob
- › Metal cupboard 520mm unit in white powder coated finish. Door without handle - touch closure
- › There is a slight colour difference between fridge front and base structure
- › Available only in white
- › Available only including fridge
- › Delivered assembled and ready to plug in



ME 100

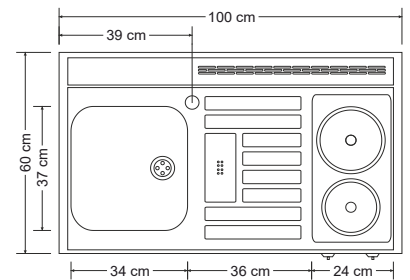
### Top version



electric hotplates



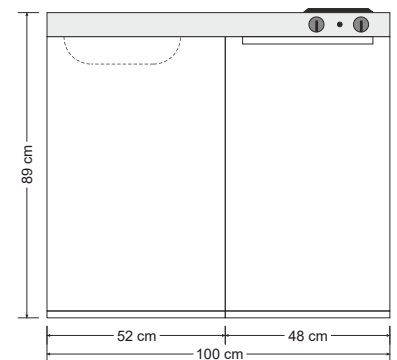
without hob



### ME 100

### Fridge

article no.	hob	bowl side
14100 000013 00	electric	bowl right
14100 000023 00	electric	bowl left
14100 000053 00	without	bolw right
14100 000063 00	without	bowl left



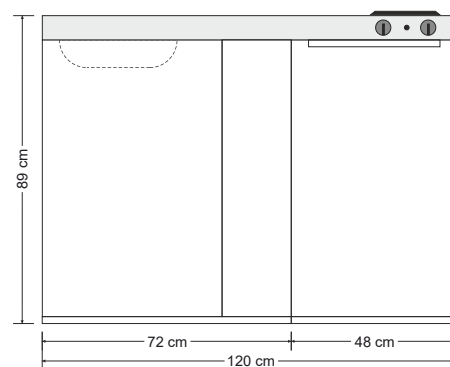
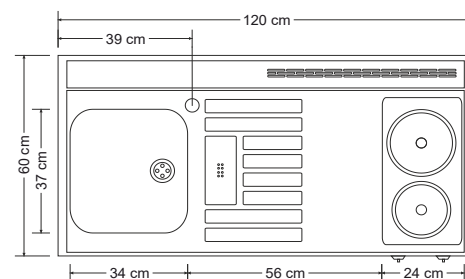


## MINI KITCHEN EASYLINE 120CM ME 120

- › Fridge 2\*-freezer, energy efficiency class A++
- › Pantry top in stainless steel, hob controls on the front, bowl, drain set, 35mm hole for tap, a choice of solid hotplates, ceramic hob or without hob
- › Metal cupboard 720mm unit with pelmet 200mm in white powder coated finish. Door without handle - touch closure
- › There is a slight colour difference between fridge front and base structure
- › Available only in white
- › Available only including fridge
- › Delivered assembled and ready to plug in



BME 120



### ME 120

### Fridge

article no.	hob	bowlside
14120 000013 00	electric	bowl right
14120 000023 00	electric	bowl left
14120 000053 00	without	bolw right
14120 000063 00	without	bowl left

# SL STUDIOLINE SET

Are you looking for something unique?  
Would you like your **kitchen** free standing in a room?

The **Stengel Studioline** set offers a minikitchen that meets all of these requirements.

We have developed the smallest **kitchen** with all functions and details that everyone needs and fits into the tightest of spaces.

## A FREE STANDING MODULAR KITCHEN

**Studioline** is an ingenious system that links wall cupboards, splash backs and side panels to your chosen mini kitchen. The **Studioline** set gives you a complete kitchen solution that is compact, sleek and simple to install.

Modular system Studioline





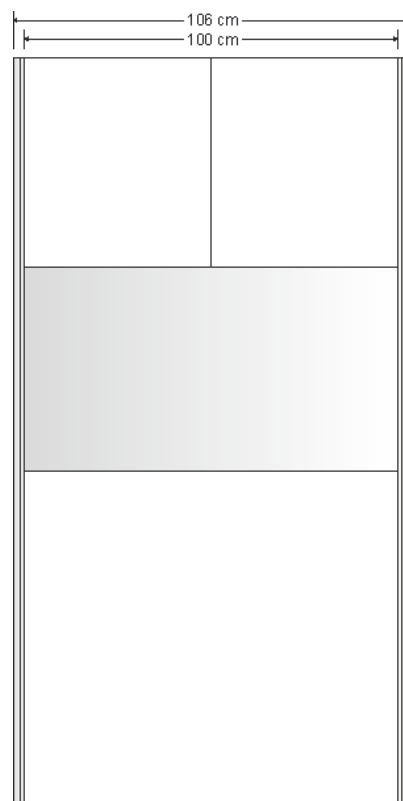
Studioline SL

# SL-E STUDIOLINE SIMPLE

- › Short double sided frame made from brushed stainless steel 1.4301, white powder coated infill panels
- › Splashback made from brushed stainless steel 1.4301
- › Wall cupboard metal classic - finished in powder coated metal
- › Available in 96, 106, 126 und 156 cm (for 90, 100, 120 and 150 mini kitchens)
- › Delivered in partially assembled condition with installation instruction



**Studioline E**  
drawing side



**Studioline E**  
100 drawing front



## SL - Studioline E

## Simple

dimensions W x D x H 96 - 156 x 62 x 200 cm (including kitchen block)

typ	article no.	colour	
SE 90	12090 000000 - XX		set for minikitchen 90 cm
SE 100	12100 000000 - XX		set for minikitchen 100 cm
SE 120	12120 000000 - XX		set for minikitchen 120 cm
SE 150	12150 000000 - XX		set for minikitchen 150 cm
Additive	47007 000000 - 00		light strip LED - 56cm - aluminium/stainless steel - two electrical outlets



StudioLine SL

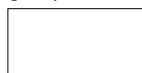
## Colour Range StudioLine E

stainless steel



01 - stainless steel

gloss powder coating



00 - white



03 - bordeaux



13 - green apple

matt powder coating



11 - sand



12 - black



14 - mocha metallic

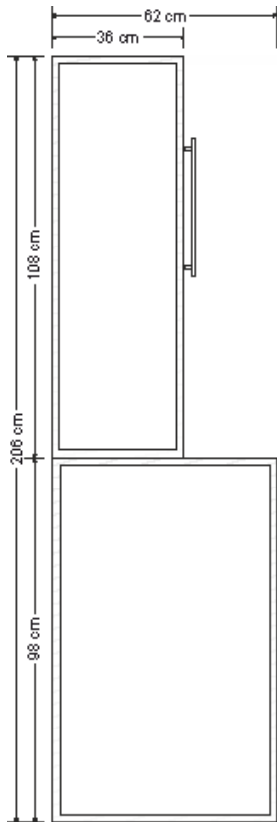
structure  
powder coating



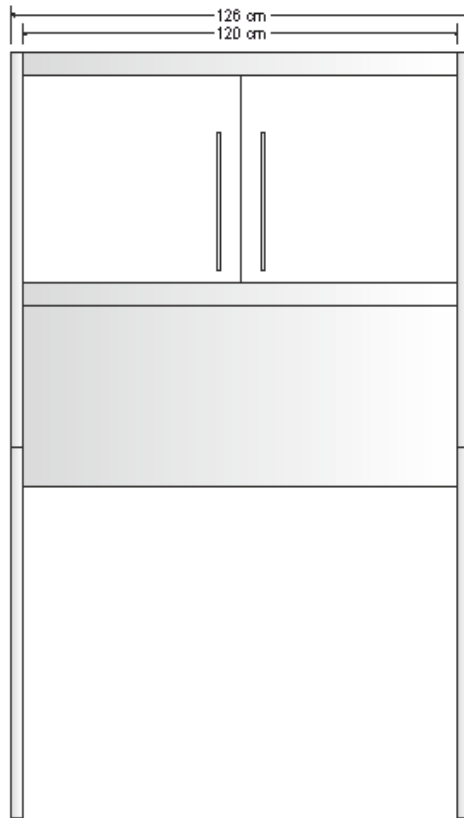
15 - slate grey

# SL-D STUDIOLINE DOUBLE

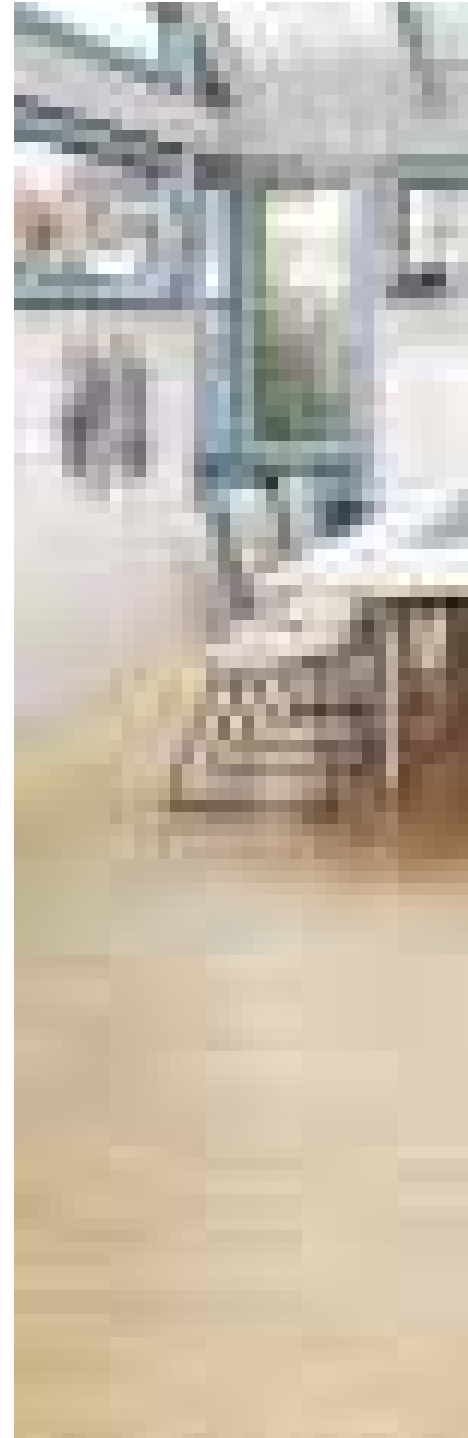
- > Double sided frame made from brushed stainless steel 1.4301, white powder coated infill panels
- > Splashback made from brushed stainless steel 1.4301
- > Wall cupboard finished in white powder coated metal
- > Upper and lower pelmets made from brushed stainless steel 1.4301
- > Available in 126 and 156 cm width (for 120 and 150 mini kitchens)
- > Delivered in partially assembled condition with installation instruction



**Studioline D**  
drawing side



**Studioline D**  
120 drawing front



## SL - Studioline D

### Double

dimensions W x D x H 126 - 156 x 62 x 206 cm (including kitchen block)

typ	article no.	colour
SD 120	13120 000000 - XX	set for minikitchen 120 cm
SD 150	13150 000000 - XX	set for minikitchen 150 cm
Additive	47007 000000 - 00	light strip LED - 56cm - aluminium/stainless steel - two electrical outlets



Studioline SL

## Colour Range Studioline D

stainless steel



01 - stainless steel

gloss powder coating



00 - white



03 - bordeaux



13 - green apple

matt powder coating



11 - sand



12 - black



14 - mocha metallic

structure  
powder coating



15 - slate grey



# SKM METAL CUPBOARD KITCHEN

## STENDEL METALLIC CUPBOARD KITCHENS FASCINATE

Even with closed front and perfect look, the cupboard kitchen offers all the benefits of a Stengel Steel Concept metal kitchen plus longevity of life compared to a wooden kitchen has to offer.

*...open or closed – Metal with a lot of style and charm*

Equip your basic model with electrical appliances and accessories that meet your demands. Easy-to-assemble and thus quickly ready for use.





Cupboard Kitchen

# CUPBOARD KITCHEN METAL

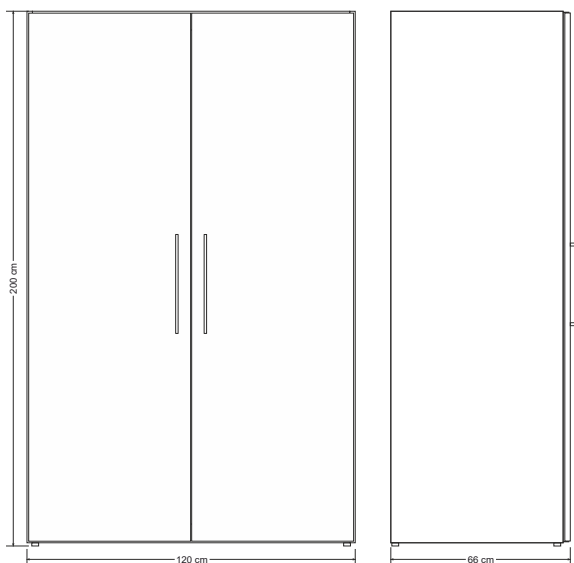
## SKM 120 - BASIC MODEL

- › Metal cupboard unit in white powder coated finish
- › Double-walled doors and side parts with premium filling, bar handles in matt stainless steel
- › Doors with magnetic closures and safety shut-off for hob
- › Pantry top in stainless steel, including built-in bowl, drain set, 35mm hole for tap, a choice ceramic hob, induction hob or without hob
- › Heat dissipation of the electrical appliances is ensured by a ventilation level provided between the wall and the rear panel
- › Metal lower cupboard with drawer, compartment shelf and storage tray, depending on design and equipment
- › Two shelves, 1x fixed, 1x height-adjustable
- › Height-adjustable feet
- › Only available in colour white
- › Delivered assembled and ready to plug in



SKM - fully equipped

Please find advice for the connection of the SKM on page 88



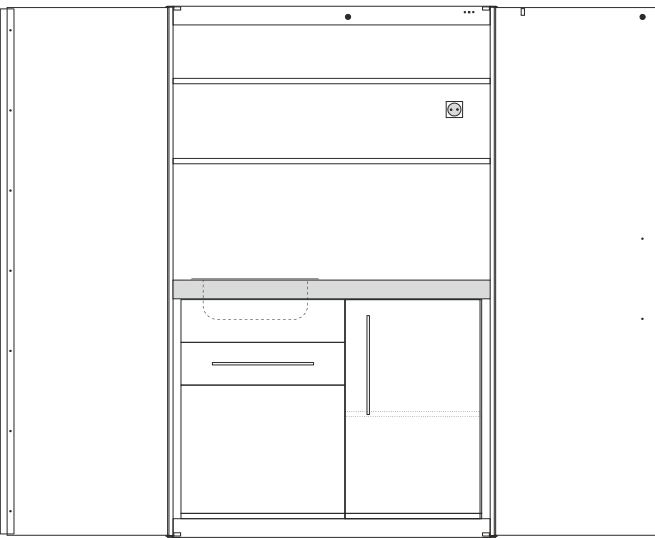
Skizze: SKM - Maße

### SKM 120 Basic model

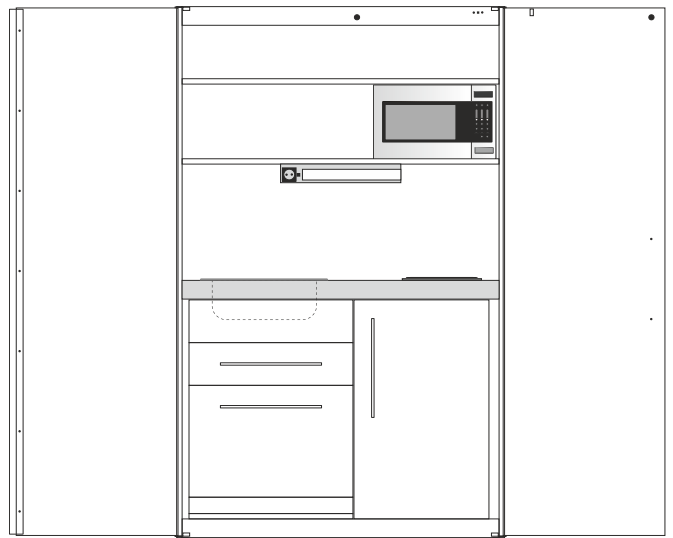
cupboard, cabinet doors, 2x shelves, electrical outlet at the top, pantry top, under-sink structure with drawer and door, cupboard unit with door and compartment shelf

dimensions W x D x H 120 x 66 x 200 cm

article no.	hob	bowlside
15120 000030 00	ceramic	bowl right
15120 000040 00	ceramic	bowl left
15120 000050 00	without	bowl right
15120 000060 00	without	bowl left
15120 000070 00	induction	bowl right
15120 000080 00	induction	bowl left



SKM - Basic model without appliances



SKM - Basic model - fully equipped

# CUPBOARD KITCHEN METAL

## SKM 120 - ACCESSORIES

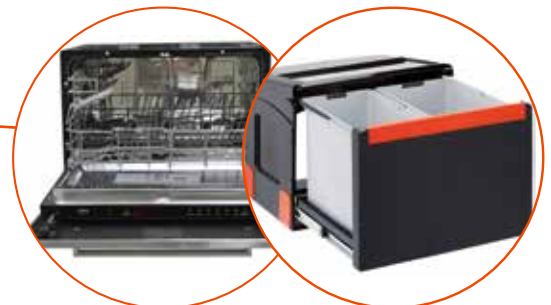
Equip your cupboard kitchen with electrical appliances and accessories of your choice.

...you can find more information about the accessories from page 28

### SKM 120

### Accessories

article no.	description
15000 900001 00	fridge, A++ , 4* freezer, incl. mounting kit
15000 910000 00	dish-washer Stengel GS6-6F12 - integrated, incl. mounting kit
15000 960000 00	microwave Stengel STCOMBI 101, incl. mounting kit
15000 950000 00	light strip LED 56cm - aluminum/stainless steel, with electrical outlets, installed
69001 000000 07	waste bin Cube 50 14+18 litre (not possible in combination with dishwasher!)
69005 000000 01	drawer 60 - Excellent II 600/50 - grey
600XX 000000 00	For taps refer to accessories on page 69





SKMG - Larder cupboard 60cm



## CUPBOARD KITCHEN METAL SKMG 60 - LARDER CUPBOARD

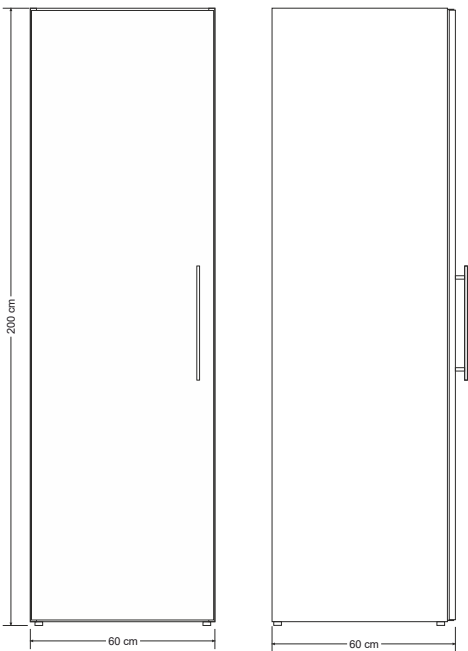
- > Suitable to our Stengel Cupboard Kitchen metal
- > Metal cupboard unit in white powder coated finish
- > Filled double-walled fronts and sides, powder-coated, bar handle in stainless steel
- > Five shelves, one fixed shelf and four adjustable shelves
- > Available only in white
- > Delivered assembled

### SKMG 60

### larder cupboard

dimensions W x D x H 96 - 60 x 60 x 200 cm

article no.	description
15060 100001 00	door hinge right
15060 200001 00	door hinge left



SKMG - Larder cupboard 60cm

# HS WALL CUPBOARDS

## METAL

OUR WALL CUPBOARDS  
THE PERFECT ADDITION TO COMPLIMENT YOUR  
MINIKITCHEN

Premium with bar handle and Classic with hidden handle. Increase the storage space in your kitchen by buying a wall cupboard to match the size and style of kitchen specified.

The doors are double walled with insulation to give strength and a solid feel and the carcass made of powder coated metal. Every wall cupboard is delivered pre-built.

Wall units are available in 560mm and 720mm high and supplied with one or two height-adjustable shelves. We provide a mounting rail for easy installation.

Our standard wall cupboards are available in white, stainless steel and in colour.

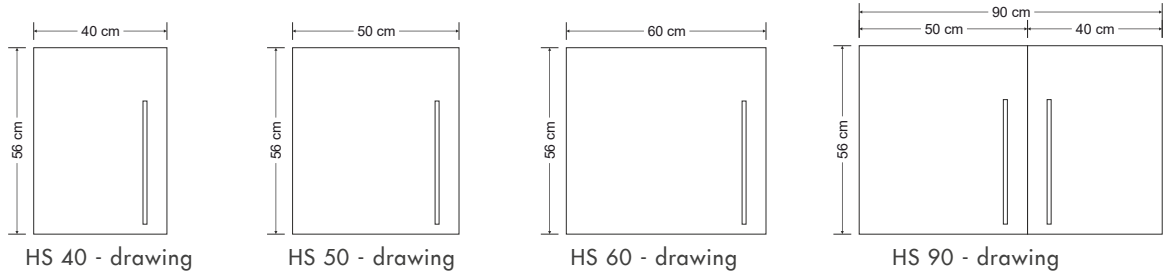




Cupboards HS/HO

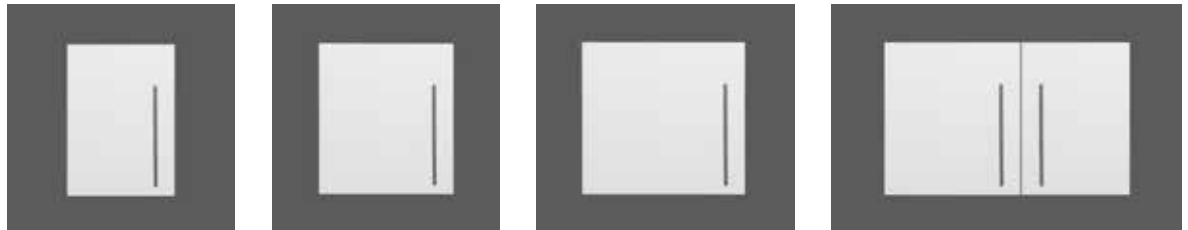
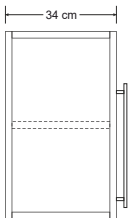


# WALL CUPBOARDS METAL



## HSPL - Premium

### BAR HANDLE

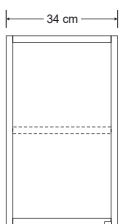


	HSPL 40	HSPL 50	HSPL 60	HSPL 90
article no.	30040 100001 - XX - DHR	30050 100001 - XX - DHR	30060 100001 - XX - DHR	30090 100001 - XX - door 40cm DHR
article no.	30040 200001 - XX - DHL	30050 200001 - XX - DHL	30060 200001 - XX - DHL	30090 200001 - XX - door 40cm DHL

DHL = door hinge left - DHR = door hinge right

## HSCL - Classic

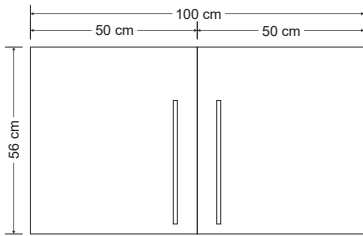
### HIDDEN HANDLE



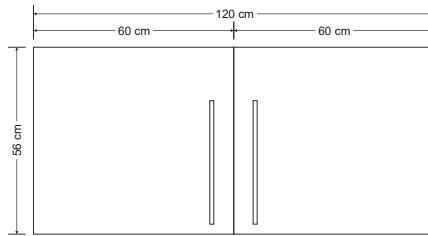
	HSCL 40	HSCL 50	HSCL 60	HSCL 90
article no.	30040 100002 - XX - DHR	30050 100002 - XX - DHR	30060 100002 - XX - DHR	30090 100002 - XX - door 40cm DHR
article no.	30040 200002 - XX - DHL	30050 200002 - XX - DHL	30060 200002 - XX - DHL	30090 200002 - XX - door 40cm DHL

DHL = door hinge left - DHR = door hinge right

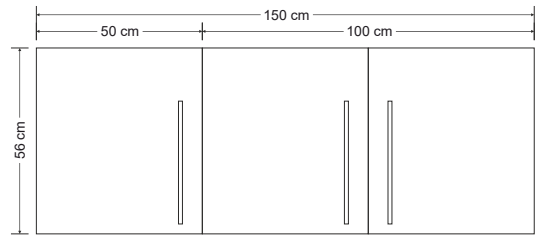
# MODELS - H560



HS 100 - drawing



HS 120 - drawing



HS 150 - drawing



HS 100 - open



HS 120 - open



HS 150 - open

## HSPL - Premium

BAR HANDLE



HSPL 100

article no. 30100 000001 - XX

article no.



HSPL 120

article no. 30120 000001 - XX



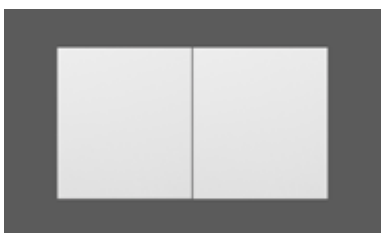
HSPL 150

article no. 30150 100001 - XX - 100/50 cm

article no. 30150 200001 - XX - 50/100 cm

## HSCL - Classic

HIDDEN HANDLE



HSCL 100

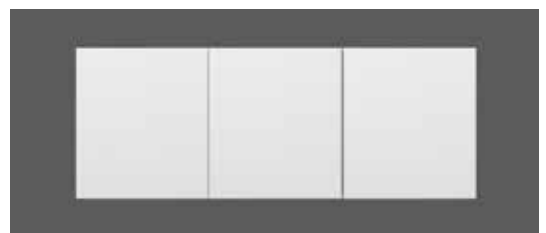
article no. 30100 000002 - XX

article no.



HSCL 120

article no. 30120 000002 - XX



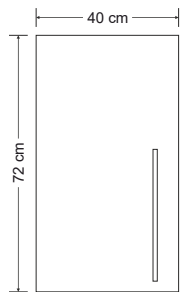
HSCL 150

article no. 30150 100002 - XX - 100/50 cm

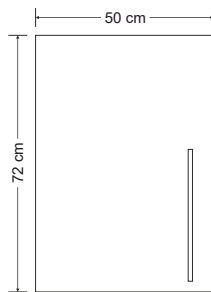
article no. 30150 200002 - XX - 50/100 cm

Cupboards HS/HO

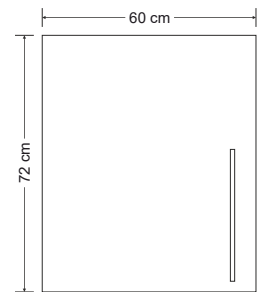
# WALL CUPBOARDS METAL



HS 40 - drawing



HS 50 - drawing



HS 60 - drawing



HS 40 - open



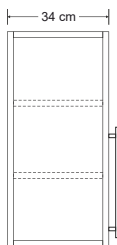
HS 50 - open



HS 60 - open

## HSPL - Premium

### BAR HANDLE



HSPL 40

article no. 30040 100101 - XX - AR  
article no. 30040 200101 - XX - AL



HSPL 50

30050 100101 - XX - AR  
30050 200101 - XX - AL



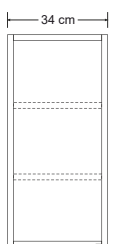
HSPL 60

30060 100101 - XX - AR  
30060 200101 - XX - AL

DHL = door hinge left - DHR = door hinge right

## HSCL - Classic

### HIDDEN HANDLE



HSCL 40

article no. 30040 100102 - XX - AR  
article no. 30040 200102 - XX - AL



HSCL 50

30050 100102 - XX - AR  
30050 200102 - XX - AL

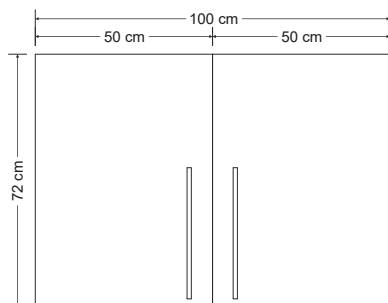


HSCL 60

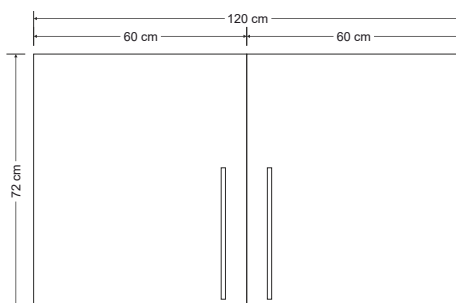
30060 100102 - XX - AR  
30060 200102 - XX - AL

DHL = door hinge left - DHR = door hinge right

# MODELS - H720



HS 100 - drawing



HS 120 - drawing



HS 100 - open



HS 120 - open

## HSPL - Premium

BAR HANDLE



HSPL 100

article no. 30100 000101 - XX

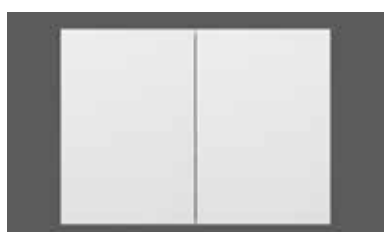


HSPL 120

30120 000101 - XX

## HSCL - Classic

HIDDEN HANDLE



HSCL 100

article no. 30100 000102 - XX



HSCL 120

30120 000102 - XX

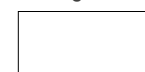
## Colour Range Premiumline

stainless steel



01 - stainless steel

gloss powder  
coating



00 - white



03 - bordeaux



13 - green apple

matt powder  
coating



11 - sand



12 - black



14 - mocha metallic

structure  
powder coating



15 - slate grey

Cupboards HS/HO

# HS WALL CUPBOARDS WITH MICROWAVE

## GET EVEN MORE INTO THE SMALLEST SPACE

Through our new cupboard with integrated microwave, you now have even more ways to optimize your **Stengel mini kitchen**.

The clever design allows the microwave the correct amount of ventilation and the shelf above gives more storage space. This cupboard is suitable with the use of the 20l microwave /oven combination in stainless steel.

The cupboard is finished either in white powder coated steel or in stainless steel, both these finishes match all ranges of **Stengel kitchens**. Available in white and stainless steel, and of course also in heights of 560 and 720mm.

All wall cupboards are delivered assembled.

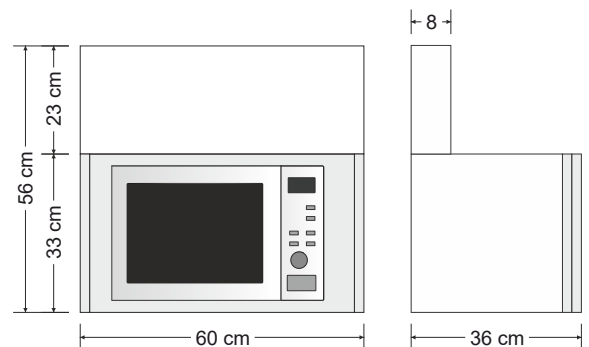
### HSMW - H560

#### wall cupboards with microwave hight 56cm

dimensions W/D/H 60 x 36 x 56 cm

incl. microwave

article no.	description
30060 030000 00	wall cupboards wit microwave 60 cm - white
30060 030000 01	wall cupboards wit microwave 60 cm - stainless steel



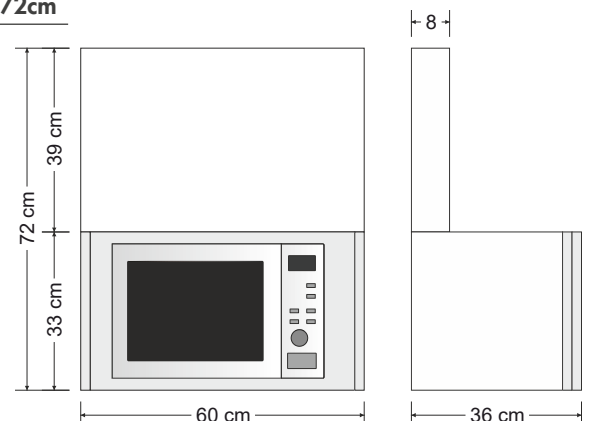
### HSMW - H720

#### wall cupboards with microwave hight 72cm

dimensions W/D/H 60 x 36 x 72 cm

incl. microwave

article no.	description
30060 040000 00	wall cupboards wit microwave 60 cm - white
30060 040000 01	wall cupboards wit microwave 60 cm - stainless steel





Cupboards HS/HO

# HO LARDER CUPBOARD METAL

## REALLY BIG STORAGE

New - whether as addition to your kitchen or as addition to your apartment furniture - our tall cupboard offers not only enormous storage space, it perfectly matches your minikitchen.

The doors and sides are double walled with insulation to give strengths and a solid feel and the carcass made of powder coated metal.

Every cupboard is delivered with one fixed shelf and four adjustable shelves.

Our standard tall cupboards are available in white or a choice of colours from our range as seen below.

All tall cupboards are delivered assembled.

### HO - H2000

#### larder cupboard metal

dimensions W/D/H 60 x 60 x 200 cm

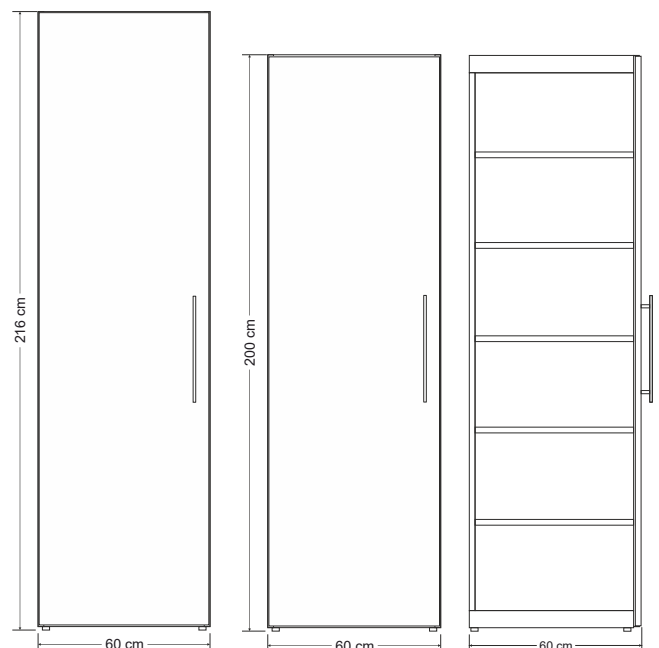
article no.	colour	description
34060 100001 - XX		larder cupboard 60 wide - metal - door hinge right
34060 200001 - XX		larder cupboard 60 wide - metal - door hinge left

### HO - H2160

#### larder cupboard metal

dimensions W/D/H 60 x 60 x 216 cm

article no.	colour	description
34060 100101 - XX		larder cupboard 60 wide - metal - door hinge right
34060 200101 - XX		larder cupboard 60 wide - metal - door hinge left





HO larder cupboard 60cm



Cupboards HS/HO

## Colour Range Larder Cupboards

stainless steel



01 - stainless steel

gloss powder coating



00 - white



03 - bordeaux



13 - green apple

matt powder coating



11 - sand



12 - black



14 - mocha metallic

structure  
powder coating



15 - slate grey



# WALL TRIMS FOR PREMIUM KITCHENS

Wall trims allow you to create an extra 30mm space for installation behind the kitchen. They are made of 0.7mm 1.4301 stainless steel to perfectly match the stainless steel covers of our Premiumline kitchens. Wall trims are available in different widths 100 - 110 - 120 - 150 - 160 - 170 - 180 cm.



## Wall trims stainless steel

article no.	dimensions W x D x H 100 - 180 x 7 x 3 cm
63100 100000 01	100 cm wide
63110 100000 01	110 cm wide
63120 100000 01	120 cm wide
63150 100000 01	150 cm wide
63160 100000 01	160 cm wide
63170 100000 01	170 cm wide
63180 100000 01	180 cm wide



# SPLASH BACKS & SIDE CHEEKS

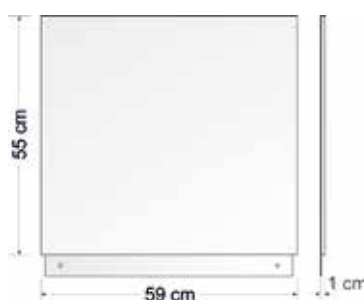
## STAINLESS STEEL

Our stainless steel splash backs and side cheeks are the perfect link between the kitchen base units and metal wall cupboards. They are made from quality 1,0 mm brushed stainless steel. Splash backs are available in different widths 90 - 100 - 110 - 120 - 150 - 160 - 170 - 180 cm.



### Splash backs stainless steel

article no.	dimensions W x D x H 90 - 180 x 55 x 1 cm
64090 000000 01	90 cm wide
64100 000000 01	100 cm wide
64110 000000 01	110 cm wide
64120 000000 01	120 cm wide
64150 000000 01	150 cm wide
64160 000000 01	160 cm wide
64170 000000 01	170 cm wide
64180 000000 01	180 cm wide



### Side cheeks

article no.	dimensions W x D x H 90 - 59 x 55 x 1 cm
65059 100000 01	59 cm wide - right side
65059 200000 01	59 cm wide - left side

# ACCESSORIES

## FOR OUR MINIKITCHEN



article no. 69001 000000 02

### Waste bin - CUBE 40

suitable to 60 cm cupboard  
assembly system  
two point waste separation

manual rails grey / black  
two bins 14 litres  
dimension 335 x 407 x 348 mm (WxHxD)



article no. 69001 000000 07

### Waste bin - CUBE 50

suitable to 50 cm cupboard  
assembly system

manual rails grey / black  
dimension 438 x 330 x 345 mm (WxHxD)

article no. 69001 000000 05

two point waste separation - bins 18 litre + 14 litres  
three point waste separation - bins 2x8 litre + 14 litres



article no. 69001 000000 08

### Waste bin - CUBE 10 - expansion

suitable to Cube 40 and Cube 50  
assembly system

bin 4,5 litres  
dimension 93 x 407 x 346 mm (WxHxD)



article no. 69005 000000 04

### Drawer organiser - Excellent II

colour grey  
plastic material 2,5 mm

drawer organiser 40  
dimension 330 x 50 x 440 mm (WxHxD)

drawer organiser 50  
dimension 430 x 50 x 440 mm (WxHxD)

drawer organiser 60  
dimension 530 x 50 x 440 mm (WxHxD)

drawer organiser 70  
dimension 630 x 50 x 440 mm (WxHxD)

article no. 69005 000000 00

article no. 69005 000000 01

article no. 69005 000000 03



article no. 62040 000000 00

### Shelf - metal for minikitchen

shelf for base units 40 / 50 cm including fixings  
metal powder coated white  
pre-cut holes for one shelf per cupboard unit!

article no. 62050 000000 00

article no. 62060 000000 00

article no. 62070 000000 00

model 40 cm white metal finish

model 50 cm white metal finish

model 60 cm white metal finish

model 70 cm white metal finish



article no. 69007 000000 01

### Basket - for pull-out-unit 20cm

suitable for the pull-out-unit 20cm  
dimension 110 x 480 x 75mm (WxHxD)



article no. 60007 000000 00

### One-handle-mixer - Athos - 77050

high pressure  
for 35 mm tap hole

chrome  
fixed spout, rotatable 120°  
flexible connecting hose

# TAPS

● KLUDI ●

# ● KLUDI ●

All KLUDI taps offer the following added values:

Flow class A - noise group I - rapid installation set - flexible connecting hose G 3/8 - ceramic cartridge with hot water safety device - 5 years guarantee - after sales service



## One-handle mixer - Kludi Scope

DN 10, chrome, for 35 mm tap hole, rotatable 360

article no. 60013 000000 00

low pressure

article no. 60014 000000 00

high pressure



## One-handle mixer - Kludi Zenta

DN 10, chrome, for 35 mm tap hole, rotatable 360

article no. 60016 000000 00

high pressure



## One-handle mixer - Bingo Star

DN 10, chrome, for 35 mm tap hole, rotatable 360°

article no. 60017 000000 00

high pressure



## One-handle mixer - Kludi L-line S

DN 10, chrome, for 35 mm tap hole, rotatable 360

article no. 60018 000000 00

high pressure



Appliances / Electric.

# ELECTRICAL EQUIPMENT

## FOR OUR MINIKITCHEN



article no. 46005 000000 00 **Fridge - Stengel KS 5001 EU**

capacity gross 114 litres	4* freezer / EEF- class A++
capacity net 100 litres	cooling agent R 600 A / FCKW-free
icebox 14 litres	connection 220 - 240 V / 50 Hz
sound level 41dB	clima class ST/N (16°-38°C)
weight 35,00 kg	dimension 820 x 497 x 579 mm (HxWxD)



article no. 46004 000000 00 **Fridge - Stengel KU 1101**

capacity gross 84 litres	2* freezer / EEF- class A++
capacity net 74 litres	energy consumption 95,0 kW / year
icebox 10 litres	connection 220 - 240 V / 50 Hz
cooling agent R 600 A / CFC-free	
weight 25,76 kg	dimension 820 x 480 x 560 mm (HxWxD)



article no. 42004 000000 00 **Microwave - Amica MW 13150 W**

30 minutes timer manual	volume 17 litres / glass plate
defrosting program	microwave 700 W / 6 levels
digital LED display	connection 230 V / 50 Hz
weight 10,5 kg	dimensions 262 x 452 x 335 m (HxWxD)



article no. 42010 000000 00 **Microwave - Stengel STCOMBI101 - 20I**

combination oven / microwave	volume 20 litres
stainless steel panel	microwave 800 W
automatical programmms	grill 1200 W
child-proof lock	heating air / oven 2200 W
glass plate	connection 230-240 V / 50 Hz
weight 14,4 kg	dimension 262 x 452 x 390 mm (HxWxD)



article no. 42011 000000 00 **Microwave combination - Russell hobbs RHM3003 - 30I**

combination oven / microwave	volume 30 litres
glass plate	microwave 850 - 900 W
automatical programmms	grill 1000 - 1100 W
child-proof lock	heating air / oven 2300 - 2500W
	connection 230 - 240 V / 50 Hz
weight 18,9 kg	dimension 326 x 520 x 500 mm (HxWxD)



article no. 69001 000000 01 **Timer - for minikitchen Kitchenline / Easyline**

fits in all standard Stengel pantries (90, 100, 120 and 150 cm)  
2-pole switch from 0 till 30 minutes,  
16 A / till 250 V



article no. 44003 000000 00 **Oven - Stengel EBO9.3H**

9 programmes	power 3000 W
energy label A	energy use 0,99 kW/h
volume 70 litres	connection 220-240V/50 Hz
weight 30,5 Kg	dimension 595 x 595 x 575 mm (WxHxD)



article no. 44001 000000 00 **Oven - Stengel EBA K4 WE**

4 programmes	power 3200 W
energy label A	energy use 0,79 kW/h
volume 61 litres	connection 230 / 400 V - 50 Hz
weight 35 Kg	dimension 595 x 595 x 570 mm (WxHxD)



article no. 41012 000000 00 **Dishwasher - Stengel GS6-6FI2 - integrated**

build-in unit	energy label A+ / A
water consumption 6,5 litres	power 1170 - 1380 W
6 rinse cycles	energy consumption 174 kw/year
temperatures 40 - 60°C	acoustic level 49 dB
6 programs	connection 230V / 50 Hz
weight 20 Kg	dimension 438 x 550 x 500 mm (WxHxD)



article no. 43008 000000 00 **Double ceramic hob - PKM EB-GK2-TC**

two controls on top	high-speed plate Ø145 mm/1,5 KW
7-cycles switch	high-speed plate Ø180 mm/2,0 KW
approved by VDE	connection 3,5 KW/ 230 V / 50 Hz
1,5 m cable with angle plug	dimension 290 x 40 x 510 mm (WxHxD)



article no. 43006 000000 00 **Double induction hob - CASO - Master E2**

touch control	high-speed plate Ø145 mm / 1,2 KW
9 power levels each plate	high-speed plate Ø180 mm / 1,8 KW
timer 99 min	150 cm cable with angle plug
checklight for residual heat	connection 3,0 KW / 230 V / 50 Hz
	dimension 288 x 56 x 520 mm (WxHxD)

# ELECTRICAL EQUIPMENT

## FOR OUR MINIKITCHEN



article no. 45007 000000 00 **Extractor hood - Amica UH 17052-2**

3 speed levels	exhaust air max. 179 m <sup>3</sup> / h
connection tube 125 mm	air circulation max. 160 m <sup>3</sup> / h
lightning 1x 30W/E14	acoustic level 52 - 63 dBA
weight 3,9 kg	connection 230 V / 50 Hz
	dimensions 500 x 505 x 130 mm (WxDxH)



article no. 45004 000000 00 **Extractor hood - DH-640 - silver finish**

3 speed levels	exhaust air max. 190 m <sup>3</sup> / h
connection tube 125 mm	air circulation max. 160 m <sup>3</sup> / h
lightning 1x 40 W/E14	acoustic level 63 dBA
weight 4,6 kg	connection 230 V / 50 Hz
	dimensions 600 x 470 x 76 mm (WxDxH)



article no. 47003 000000 00 **Water heater - Dimplex ACK 5 U**

capacity 5 litres, low pressure	energy label A
water flow 9,1 litres	
max. 75° degree	connection 2,0 kW / 230V-50Hz
degree of protection IP24	class I equipment
weight 3,5 kg	dimension 256 x 213 x 390 mm (WxDxH)



article no. 47007 000000 00 **Light strip LED - aluminium / stainless steel**

LED - light strip with switch	carcass aluminium/stainless steel
2 electrical outlets	connection 230V-50Hz
	dimension 560-1160 x 71 x 71 mm (WxDxH)

article no. 47007 000000 00 56 cm length - 644 lumen - 6,5 W

article no. 47009 000000 00 86 cm length - 860 lumen - 9,6 W

article no. 47010 000000 00 116 cm length - 1280 lumen - 12,9 W



article no. 47008 000000 00 **Light strip LED - plastic / metal**

LED - light strip with switch	plastic-housing / metal-socket
2 electrical outlets	connection 220 - 240 V-50Hz / 12 W
780 lumen	dimension 590 x 90 x 50 mm (WxDxH)



# COMPANY

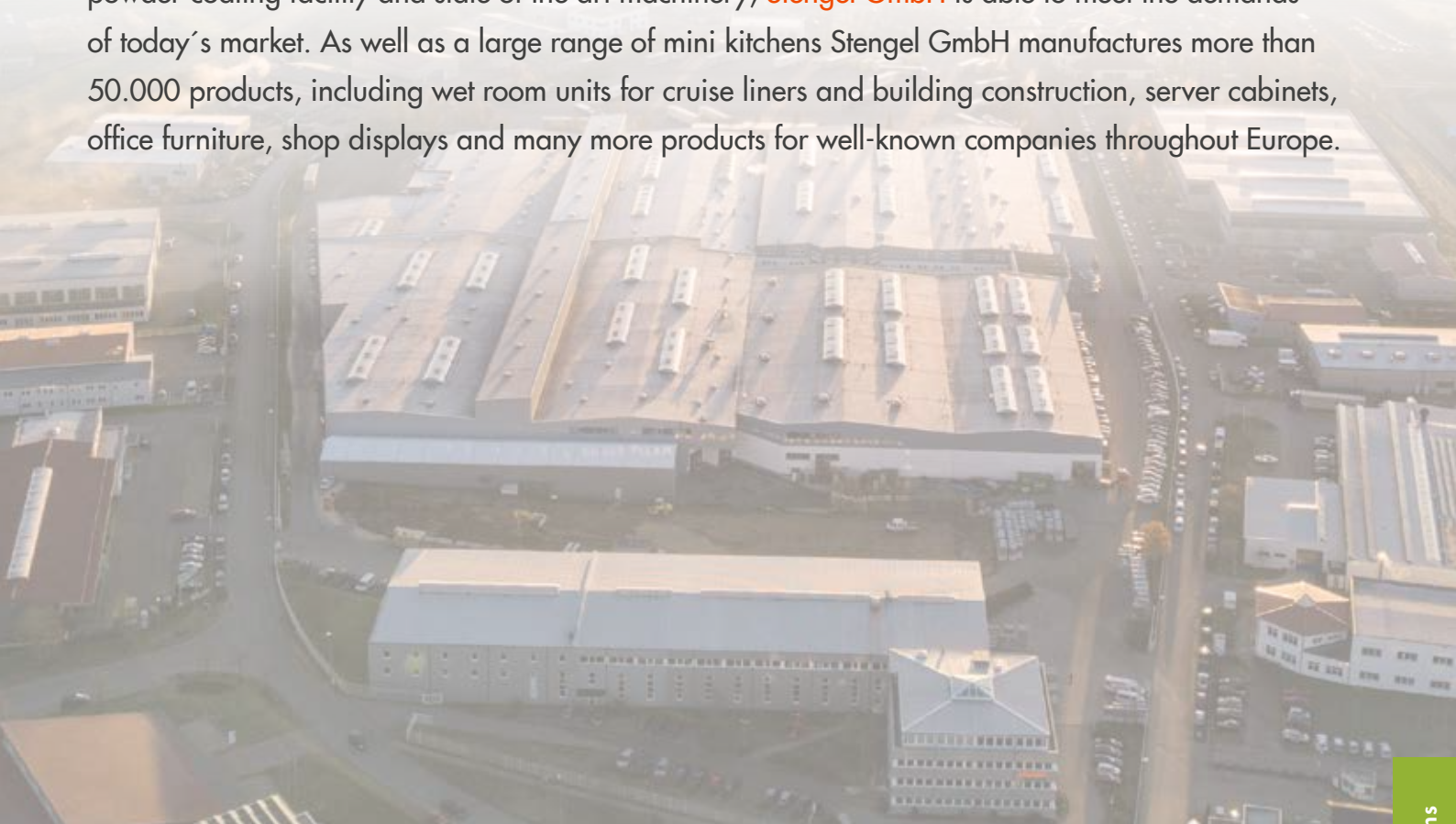
## Stengel Steel Concept GmbH

Based in Ellwangen/Baden Württemberg **Stengel Steel Concept** was established in 2016 from **Stengel Küchen GmbH**, which had been founded in 2011. This change was a result of expansions and innovations made possible by the material metal. Being a subsidiary of **Stengel GmbH**, we have all techniques and options offered by metal processing at our disposal while the Stengel Steel Concept GmbH benefits of its own design and production areas.

## Stengel GmbH

Stengel GmbH is a medium sized family owned company with more than 40 years of experience in sheet metal production.

With more than 480 employees, approximately 70.000 m<sup>2</sup> of production and storage area, our own powder coating facility and state of the art machinery, **Stengel GmbH** is able to meet the demands of today's market. As well as a large range of mini kitchens Stengel GmbH manufactures more than 50.000 products, including wet room units for cruise liners and building construction, server cabinets, office furniture, shop displays and many more products for well-known companies throughout Europe.





# PROJECTS

Stengel kitchens are already used in many projects throughout Europe.

They have proven their many advantages like high durability, high quality material, low installation costs, low maintenance costs and a timeless style in environments including student accommodation, hotels, holiday and retirement homes.

Our experience for your project.

We advise and work closely with our clients including architects and planning agencies in all aspects from the design to the completion. Thanks to our wealth of experience in special project work we are able to meet your exacting requirements. Our design team pride themselves on helping our clients meet their specification, budgets and timelines in a professional and helpful way.





# DELIVERY

## FOR OUR MINIKITCHENS

We offer fast and reliable delivery.



## PACKAGING

All kitchen models are specially packed to reduce damage and delivered on pallets for easy handling on site.

Electric appliances that are not integrated in the kitchens such as ovens, microwaves or dishwashers, are delivered with the kitchen and securely fastened.

## OUR LOGISTICS- AND SERVICE PARTNERS

***stengel***

**STENDEL GMBH**



Garantie datenbank 24

**DACHSER**

**Intelligent Logistics**



**SPEDITION**

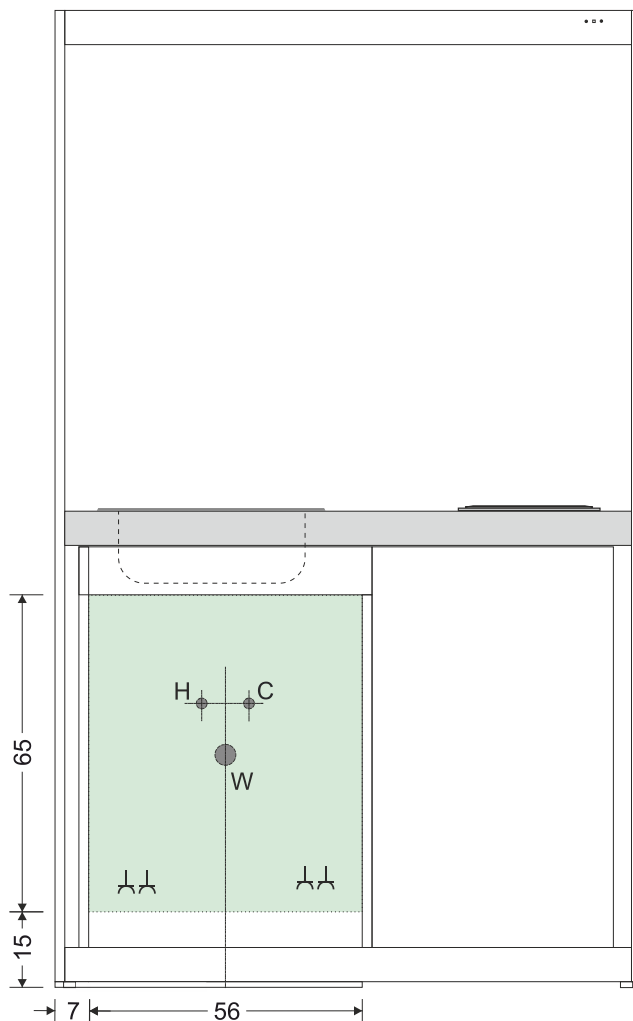
**PFELEIDERER**


MÖBELLOGISTIK IN PERFEKTION




# CONNECTION - SCHEME

## CUPBOARD KITCHEN SKM



 = Installation area

 = Outlets 230V upon quantity of appliances within the bounds of the installation area

H = Hot water connection

C = Cold water connection

A = Waste water connection

Scheme is connection advice.  
Modifications according upon structural conditions are possible.

Integrated safety switch  
(door switch-off):  
1x 16 A for hob upon 3500W  
1x 16 A for microwave/ light  
(1 socket per circuit)

Direct circuit (without door switch):  
1x 16 A for fridge/ dishwasher  
(1 socket per appliances)



### Important notice!!!

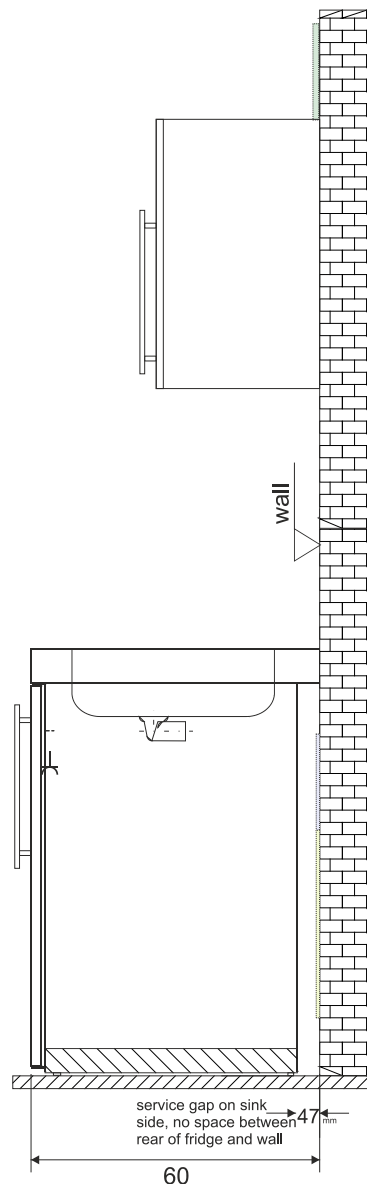
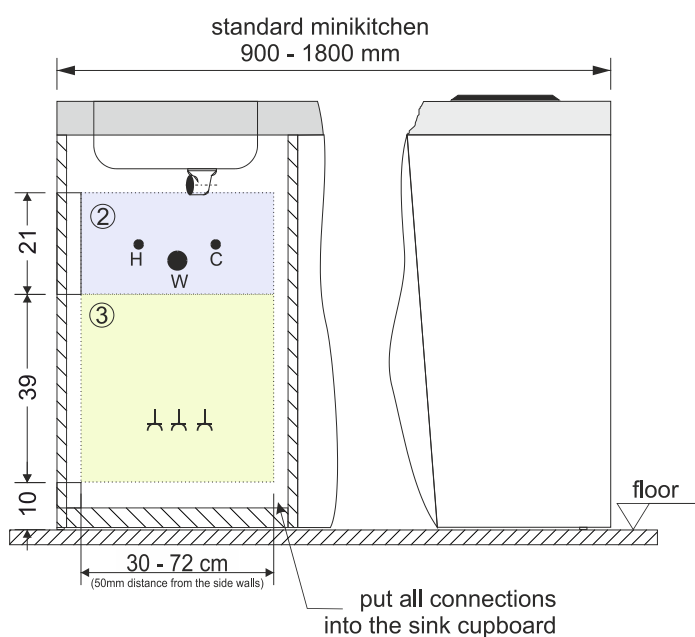
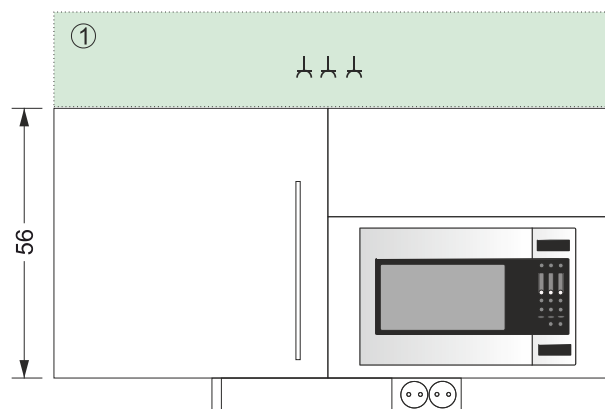
Figure with hotplates right bowl left. Please check before installation, which side of hotplates or bowl you have and install plugs reverse left to right accordingly.

Subsequent complaints are not accepted!

We recommend the installation of your kitchen by a plumbing or electrical specialist

# CONNECTION SCHEME

## MINIKITCHEN MP - MK - ME



### Important note regarding minikitchen connections:

- Bases of the minikitchens are delivered without rear panel
- Quantity of outlets according to quantity of electrical appliances
- All electrical appliances are 230V operated-
- Performance data of electrical appliances, see data sheets or current catalogue

### Distances in the installation area:

- wall - drawer	=	130 mm
- wall - dishwasher	=	65 mm
- wall - 4* fridge Stengel (MK / MP)	=	15-18 mm
- wall - 2* fridge Stengel (ME)	=	50 mm
- wall - microwave	=	240-280 mm
- wall - oven	=	25 mm
- wall - shelf	=	50 mm

- ① Recommended area for electrical connections of wall cupboards (e.g. microwave, light strip, extractor hood etc.)
- ② Recommended area for water connections
- ③ Recommended area for electrical connections for minikitchen (e.g. fridge, microwave, dishwasher, oven etc.)

# www.stengel-steelconcept.com



***stengel***   
***steel concept***

**Stengel Steel Concept GmbH**

Wilhelm-Maybach-Str. 1-3

73479 Ellwangen

Telefon: +49 7961 9121 - 400

E-mail: [office@stengel-steelconcept.com](mailto:office@stengel-steelconcept.com)

[www.stengel-steelconcept.com](http://www.stengel-steelconcept.com)

